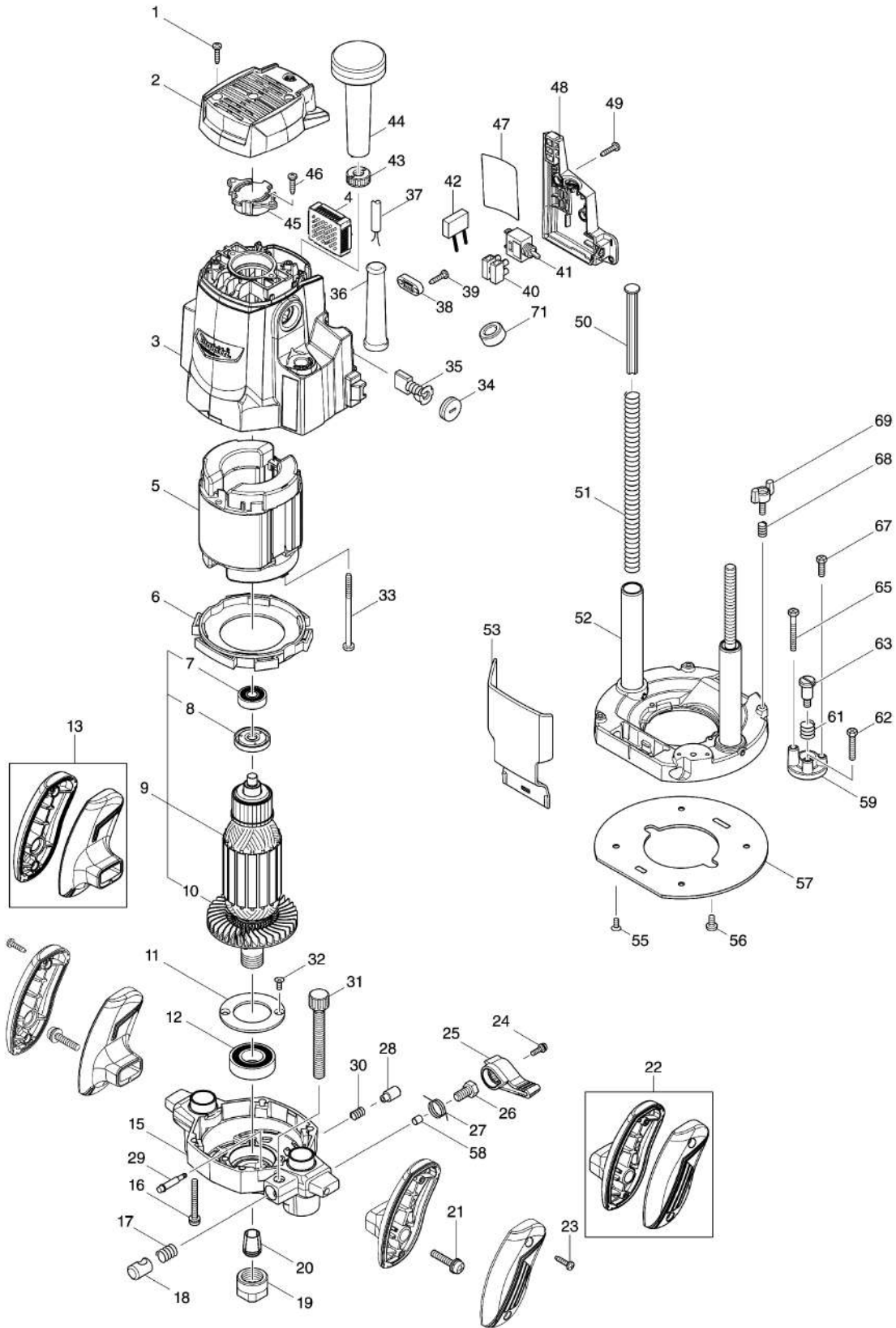


Model No.M3602 ROUTER



Model No.M3602 ROUTER

| Item | Parts No. | Description | I/C | Qty | New/Old | Opt. 1 | Opt. 2 | Note |
|------|-----------|-----------------------------------|-----|-----|---------|--------|--------|------|
| 001 | 266326-2 | TAPPING SCREW 4X18 | | 2 | | | | |
| 002 | 413B12-0 | TOP COVER | | 1 | | | | |
| 003 | 141F96-9 | MOTOR HOUSING COMPLETE | | 1 | | | | |
| C10 | 643564-7 | BRUSH HOLDER | | 2 | | | | |
| C20 | 816811-1 | SCALE LABEL | | 1 | | | | |
| 004 | 620H00-8 | CONTROLLER | | 1 | | | | |
| 005 | 594784-5 | FIELD ASS'Y 240V | | 1 | | | | |
| C10 | 654451-5 | RING TERMINAL | | 2 | | | | |
| C20 | 654486-6 | PARALLEL SPLICE | | 2 | | | | |
| 006 | 418486-8 | BAFFLE PLATE | | 1 | | | | |
| 007 | 211381-9 | BALL BEARING 629ZZ | | 1 | | | | |
| 008 | 681666-1 | INSULATION WASHER | | 1 | | | | |
| 009 | 517884-4 | ARMATURE ASS'Y 240V | | 1 | | | | |
| D10 | | INC. 7,8,10 | | | | | | |
| 010 | 240069-4 | FAN 83 | | 1 | | | | |
| 011 | 285711-0 | BEARING RETAINER 50 | | 1 | | | | |
| 012 | 211335-6 | BALL BEARING 6004ZZ | | 1 | | | | |
| 013 | 187512-1 | GRIP L SET | | 1 | | | | |
| 015 | 141868-6 | MOTOR BRACKET COMPLETE | | 1 | | | | |
| 016 | 911268-2 | PAN HEAD SCREW M5X45 | | 4 | | | | |
| 017 | 233397-4 | COMPRESSION SPRING 11 | | 1 | | | | |
| 018 | 324424-9 | HALF NUT | | 1 | | | | |
| 019 | 763629-0 | COLLET NUT | | 1 | | | | |
| 020 | 763628-2 | COLLET CONE 12MM | | 1 | | | | |
| 021 | 911353-1 | PAN HEAD SCREW M6X30 | | 2 | | | | |
| 022 | 187515-5 | GRIP R SET | | 1 | | | | |
| 023 | 266326-2 | TAPPING SCREW 4X18 | | 4 | | | | |
| 024 | 265099-4 | PAN HEAD SCREW M4X14 | | 1 | | | | |
| 025 | 454033-1 | LOCK LEVER | | 1 | | | | |
| 026 | 266335-1 | SET BOLT M8X16 | | 1 | | | | |
| 027 | 231670-6 | TORSION SPRING 16 | | 1 | | | | |
| 028 | 286270-7 | CAP 11 | | 1 | | | | |
| 029 | 256482-6 | SHOULDER PIN 6 | | 1 | | | | |
| 030 | 233396-6 | COMPRESSION SPRING 7 | | 1 | | | | |
| 031 | 265759-8 | THUMB SCREW M10X80 | | 1 | | | | |
| 032 | 265135-6 | + COUNTERSUNK HEAD SCREW M4X10 | | 2 | | | | |
| 033 | 266328-8 | TAPPING SCREW 5X80 | | 2 | | | | |
| 034 | 643700-5 | BRUSH HOLDER CAP 7-18 | | 2 | | | | |
| 035 | 191953-5 | CARBON BRUSH CB-203 | | 1 | | | | |
| 036 | 682574-9 | CORD GUARD 10-90 | | 1 | | | | |
| 037 | 665852-2 | POWER SUPPLY CORD 1.0-2- 2.0 | | 1 | | | | |

Model No.M3602 ROUTER

| Item | Parts No. | Description | I/C | Qty | New/Old | Opt. 1 | Opt. 2 | Note |
|-------|-----------|--------------------------------|-----|-----|---------|--------|--------|------|
| 038 | 687124-5 | STRAIN RELIEF | | 1 | | | | |
| 039 | 266326-2 | TAPPING SCREW 4X18 | | 2 | | | | |
| 040 | 654531-7 | TERMINAL BLOCK 2P | | 1 | | | | |
| 041 | 651066-9 | SWITCH ST115A-TB-S1 | | 1 | | | | |
| 042 | 645238-6 | NOISE SUPPRESSOR | | 1 | | | | |
| 043 | 418484-2 | NYLON NUT M10 | | 1 | | | | |
| 044 | 153764-6 | KNOB 50 COMPLETE | | 1 | | | | |
| 045 | 317747-2 | BEARING BOX | | 1 | | | | |
| 046 | 266326-2 | TAPPING SCREW 4X18 | | 2 | | | | |
| 047 | 8111T9-1 | M3602 NAME PLATE | | 1 | | | | |
| 048 | 413B13-8 | SWITCH COVER | | 1 | | | | |
| 049 | 266326-2 | TAPPING SCREW 4X18 | | 2 | | | | |
| 050 | 418492-3 | POLE | | 1 | | | | |
| 051 | 233456-4 | COMPRESSION SPRING 11 | | 2 | | | | |
| 052 | 141867-8 | BASE COMPLETE | | 1 | | | | |
| 053 | 454032-3 | CHIP DEFLECTOR | | 1 | | | | |
| 055 | 265135-6 | + COUNTERSUNK HEAD SCREW M4X10 | | 4 | | | | |
| 056 | 265133-0 | + BINDING HEAD SCREW M5X10 | | 2 | | | | |
| 057 | 454026-8 | BASE PLATE | | 1 | | | | |
| 058 | 324425-7 | LOCK PIN | | 1 | | | | |
| 059 | 317748-0 | STOPPER | | 1 | | | | |
| 061 | 233398-2 | COMPRESSION SPRING 12 | | 1 | | | | |
| 062 | 265587-1 | +HEX. BOLT M5X20 | | 1 | | | | |
| 063 | 251470-8 | - FLAT HEAD SCREW M6 | | 1 | | | | |
| 065 | 265587-1 | +HEX. BOLT M5X20 | | 1 | | | | |
| 067 | 265586-3 | +HEX. BOLT M5X14 | | 1 | | | | |
| 068 | 233396-6 | COMPRESSION SPRING 7 | | 2 | | | | |
| 069 | 265761-1 | THUMB SCREW M5X16 | | 2 | | | | |
| A01 | 122699-2 | TRIMMER GUIDE ASS'Y | | 1 | | | | |
| A02 | 122700-3 | GUIDE HOLDER ASS'Y | | 1 | | | | |
| A03 | 193894-1 | DUST COVER SET | | 1 | | | | |
| A04 | 345387-6 | TEMPLET GUIDE 16 | | 1 | | | | |
| A05 | 763811-1 | COLLET SLEEVE 6 | | 1 | | | | |
| A06 | 763812-9 | COLLET SLEEVE 8 | | 1 | | | | |
| A07 | 781034-9 | WRENCH 8-24 | | 1 | | | | |
| A08 | 342428-9 | STRAIGHT GUIDE | | 1 | | | | |
| A09 | 733236-3 | STRAIGHT BIT 12 | | 1 | * | | | |
| A09-1 | 191Y80-8 | STRAIGHT BIT 12 SET | O | 1 | | | | |
| A10 | 415412-8 | DUST NOZZLE | | 1 | | | | |

Please order the parts with part number.

Print Date 23/5/2022