

Operating manual

Ground drill

Model: GroundDrill - 14 / GroundDrill - 14 Reverse



ENG

Table of contents

1. Introduction	3
2. Precautions.....	3
3. Features.....	5
4. Specifications.....	6
5. Preparation before operation.....	6
6. Operation	8
7. Stopping.....	9
8. Daily maintenance	9
9. Long term storage.....	12
10. Warranty	13
11. Exceptions from responsibility	13

Appendix 1. Warranty card

Appendix 2. Certificate of acceptance and sale

1. Introduction

Power auger Ground Drill 14 is used for work with two operators. During operation seizure of the auger may occur and the equipment may rotate in reverse - that's why both operators must be very careful during operation and know and follow all precautions and possible risks. Return stroke is partly reduced by the power auger structure. You should know how to use the instrument to avoid damages. Options can be changed by the manufacturer without notice.

2. Precautions

Wear a long-sleeved shirt and long pants closed at the cuff.

Do not wear neck-tie or other loosely dangling garments. Such articles may become entangled in the drill when working.

Wear protective goggles.

Wear helmet when working.

Wear work shoes equipped with no-slip tread.

Wear ear plugs to protect the ear drum from noise.

Do not work for long periods of time in summer and winter. Take breaks frequently.

Do not use the auger in the rain. The possibility of your slipping is increased when the ground is wet.

Do not use the auger indoors or in poorly ventilated places.

Do not smoke in the vicinity of the auger. This equipment runs on gasoline. Keep the equipment from flames and sparks.

Do not remove the gas cap or refuel while the engine is running or hot.

Wipe the auger body of any spilled gasoline after refueling.

Store fuel in approved containers and keep in a cool place.

CHECK BEFORE START-UP

Check all bolts and nuts are securely tight. Tighten where necessary.

Check the cutting blades to avoid chipping, cracking or bending. NEVER use a drill when damaged.

CAUTIONS DURING USAGE

Do not allow other persons within 5 meters of the worksite. IT IS DANGEROUS for pets and children to be near the equipment when operating.

Be careful when drilling through rocky ground. This equipment may rotate in reverse and damage.

Work only in a stable position.

Be sure to stop the engine before allowing persons to approach within 5 m of the equipment.

Do not allow children or anyone who is unskilled in equipment usage to operate the equipment.

Never touch the drill bit when the engine is running. Be sure the engine is off and the drill has stopped rotating before handling.

Beware of the rotating drill bit.

Be sure the drill bit has stopped moving before placing on the ground.

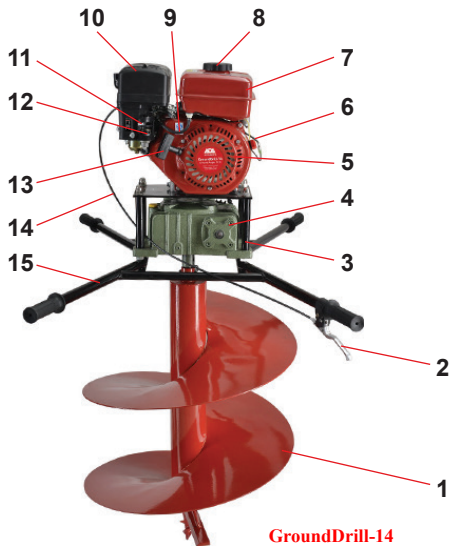
When deep drilling, do not attempt to complete work in one stretch. Extract soil in 2 or 3 steps.

Before servicing the auger or making repairs, always stop the engine, remove the plug cap from the spark plug and allow the engine to cool down.

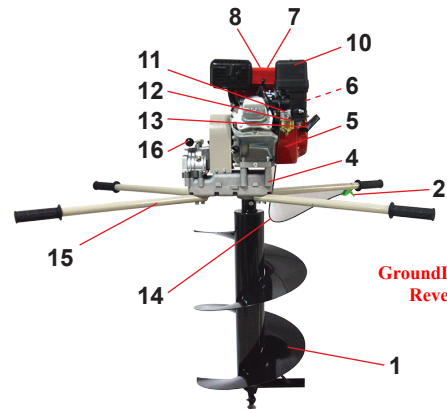
Before storing the auger drain all remaining fuel and wipe the equipment clean of dirt and debris.

NEVER store the auger near live flames.

3. Features



GroundDrill-14

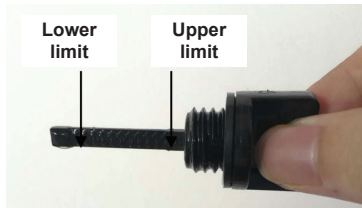


**GroundDrill-14
Reverse**

- | | | |
|-------------------|--------------------------------------|--------------------|
| 1. Auger | 7. Fuel tank | 12. Fuel-valve |
| 2. Gas handle | 8. Fuel tank cap | 13. Starter handle |
| 3. Frame | 9. Fuel line | 14. Throttle cable |
| 4. Reduction gear | 10. Air filter | 15. Frame handles |
| 5. Engine | 11. Throttle lever
(air throttle) | 16. Reverse handle |
| 6. Engine switch | | |

4. Specifications

Engine type	4 stroke, air-cooled
Engine volume	172 cm ³
Air-fuel mixture	unleaded gasoline with a minimum of 92 octane
Ignition	TCI
Power	8 HP
Carburetor	Diaphragm type
Fuel tank capacity	3,6 L
Oil capacity in the engine	1,1 L



5. Preparation before operation

Handles must be placed on the frame in the following way: handle with gas handle must be located on the right side of the starter handle. Place the screws into the holes of handles and frame. Fix them with nuts. Tighten the screws with the instrument from the complete set.

CONNECTION OF THE THROTTLE CABLE

Connect the throttle cable to the throttle level.

CONNECTION OF THE AUGER TO THE REDUCTION GEAR

Special construction of the reduction gear shaft allows to set augers with different diameters: 32 mm and 20 mm. Combine drive shaft and shank end. Insert the shaft into the shank end. Fix the connection with the help of screw.

AUGER CHECKUP

1. Check availability of all parts. This goes especially for the spark plug.
2. Check the air intake and outlet for clogging.
3. The auger uses an air-cooled engine. If the air passage is blocked, the engine may overheat.
4. Check the air filter for dirt. A dirty air cleaner will cause the auger to burn excess fuel.

THE LEVEL OF OIL IN THE ENGINE

Caution: Oil is a major factor affecting performance and service life. Use detergent oil. It's not recommended to use vegetable-based fluid. Check the engine oil level with the engine stopped and in a level position.

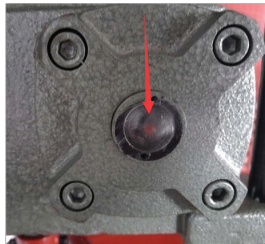
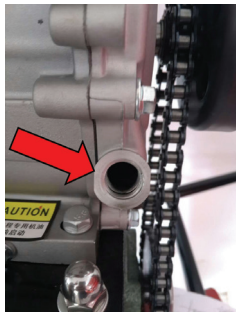
Note: SAE 10W-30 is recommended for general use. Use oil SAE Synthetic 5W-30 when the average temperature in your area is within the recommended range. Check the engine with the engine stopped and in a level position.

1. Remove the oil filler cap/dipstick and wipe it clean.
2. Insert the oil filler cap/dipstick into the oil filler neck as shown, but do not screw it in, then remove it to check the oil level.
3. Add the oil. If the oil level is near or below the lower limit mark on the dipstick.

Note: The Lubricating oil alarm system is used to prevent engine damage due to the lack of lubricating oil in the crankcase. When the lubricating level of crankcase is lower than the safety line, the alarm system will shut down the engine automatically (The engine switch is still in the ON position). If engine can't start after stopping, before check other problems, first check the machine oil level.

THE LEVEL OF OIL IN THE GEAR CASE (for the model GD-14)

Check the level of the oil before running the engine. Check it via monitoring window. If the level is lower that required, remove the cap of the gear case filler neck and add oil up to the red dot in the window (as shown in the picture). API GL-4/5 (Volume ~0.7 l.) is recommended for general use.



FUEL

1. Remove the fuel tank cap and check fuel lever. If necessary add some fuel.
 2. Use only motor gasoline (with a minimum of 92 octane or unleaded or low leaded gasoline).
- Never use mixture of oil-fuel or sour gasoline. Avoid getting dirt or water in the fuel tank.

STARTING ENGINE

1. Turn main switch to ON.
2. Turn the choke valve switch to the OFF position. Attention: If the engine is very hot or the temperature is high, do not close the choke valve.
3. Start the engine: turn the engine switch to the ON position, slowly pull the handle until there is sensation of resistance, and then pull quickly and strongly.

Attention: Don't loosen the handle suddenly in order to avoid rebounding and hitting the engine. You should replace it along the direction of resilience force of starting.

6. Operation

Caution: Ground drill is designed for the operation with 1 (density 600...1600 kg/m³) and 2 (density 1600... 1900 kg/m³) classes of soil. Continuous working time of the ground drill with 1 class of soil (sand, clay sand, vegetable soil, peat) doesn't exceed 5 min. Continuous working time of the ground drill with 2 class of soil (light loam, sand with crushed stone) is no more than 3 min. Recommended interval between continuous usage is no less than 15 min with full stoppage of the engine. It's forbidden to decline the ground drill from the axis of drilling more than 3°. Excessive deviation can lead to the breakage of the gear case parts.

Never try to drill the hole on full depth of the auger bit. Drill step-by-step.

Excessive pressure on the ground drill can lead to the breakage of the gear case, overheating of the engine and its breakdown. Deep the auger drill on 20-30 cm and raise it slightly in the hole. Remove earth from the auger bit. Don't take out the whole rotating auger bit from the hole. It can lead to the injury. Don't speed up if the auger bit is jammed in the ground. It can lead to the breakage of the gear-wheel of the gear case and the parts of the engine. Slow down the engine and disconnect it from the auger bit. Set the pivot of appropriate diameter into the hole of pin – release the auger bit turning it back.

1. Let engine warm for at least 1 min.
 2. Press or release throttle lever to get desired rpms. If the engine reduce rpms on load, adjust the position of throttle lever.
- Important!** Do not work without workmate. Otherwise it can lead to the damages. Avoid running at high rpms for long periods. The unit needs time for lubricant to get to all internal parts. Do not run the motor at high rpms without load.

THE SELECTION OF THE GEAR CASE ROTATION DIRECTION (for the model GD-14 Reverse)

The gear case of ADA GD-14 Reverse allows to change the rotation direction. Use the reverse function when drilling with auger bit of big diameter from 300 mm and complicated grounds. Release gas handle when the auger bit is fully dipped into the earth. Then it is necessary to stop drilling. Change the direction of rotation. Shift the handle for the reverse operation into the extreme position from the engine. Press gas handle. At that slowly move the ground drill up. Use the reverse function for getting the auger bit out from the earth. Never use the reverse function for drilling. Reverse handle must be in the extreme position towards the engine when drilling.

7. Stopping

1. Release throttle to idle speed.
2. Move main switch on/off to OFF.

Note: When storing for long periods, remove all fuel from the gas tank. Do not leave the gas tank at an angle. The pressure inside the tank can cause the gas to spill out. The working parts of the engine can get very hot.

8. Daily maintenance

Make sure the engine is off before you begin any maintenance or repairs. To prevent accidental engine start disconnect spark plug cap.

Note: Check and adjust regularly the engine if you want to achieve high performance of it. Regularly maintenance extends engine life. In the table below there is a maintenance schedule with regular service periods.

Elements to checkup/ period		Before each use	First month or 5 Hrs.	Every 3 months or 25 Hrs.	Every 6 months or 50 Hrs.	Every 100 Hrs.
Oil	check	*				
	change		*		*	*
Air filter	check	*				
	clean			*	*	*
Spark plug	check - clean					*
Fuel tank and filter	clean					*
Fuel line	check	Every 2 years (Replace if necessary)				

Note:

- (1) Clean more often under dusty conditions or when airborne debris is present.
- (2) Change engine oil every 25 hours when used under heavy load or in high ambient temperatures.

CHANGE ENGINE OIL

1. Drain the used oil while the engine is warm.
2. Remove the filler cap/dipstick, the drain bolt and sealing washer. Drain oil.
3. Reinstall the drain bolt and sealing washer, and tighten it securely.
4. With the engine in a level position, fill to the upper limit mark on the dipstick with the recommended oil. Check the oil level.
5. Reinstall the oil filler cap/dipstick securely.

MAINTENANCE OF AIR FILTER

A dirty air filter will restrict air flow to the carburetor, reducing engine performance. If you operate the engine in very dusty areas, clean the air filter more often than specified in the maintenance schedule.

- a) Unscrew fly-nut and remove the air filter cap. Detach the element;
- b) Rinse the detail in the non-flammable solvent. Let it dry out.
- c) Dip the detail into the clean engine oil to soak. Squeeze excessive oil. Otherwise the engine will smoke for some time when starting it.
- d) Put the detail on its place.

Caution: Never use gasoline or other dissolvents to clean air filter. Ignition could result. Operating the engine without an air filter, or with a damaged air filter, will allow dirt to enter the engine, causing rapid engine wear.

FUEL FILTER CLEANING

Caution: Gasoline and its vapors are extremely flammable and explosive. Fire or explosion can cause severe burns or death. Don't smoke on the worksite. Keep gasoline away from sparks, open flames, pilot lights, heat, and other ignition sources.

1. Remove fuel filter and fuel line.
2. Clean fuel filter (remove dirt from the grid of the filter and check the grid for damages).

SPARK PLUG SERVICE

Recommended spark plugs: F7RTC or other equivalents.

Caution: An incorrect spark plug can cause engine damage. Install spark plug with correct electrode gap. Avoid thing coating on it.

1. Remove the spark plug with a spark plug wrench.
- Caution: Muffler is very hot during engine running. Be careful, don't touch it until it gets cold.
2. Inspect the spark plug.
 3. Replace it if the electrodes are worn, or if the insulator is cracked or chipped.

4. Measure the spark plug electrode gap with a suitable gauge. The gap should be 0.70 - 0.80 mm. Correct the gap, if necessary, by carefully bending the side electrode.
 5. Install the spark plug carefully, by hand, to avoid cross-threading. Tighten the spark plug with a spark plug wrench.
Note: If installing a new spark plug, tighten 1/2 turn after the spark plug seats. If reinstalling the used spark plug, tighten 1/8 - 1/4 turn after the spark plug seats.
- Caution:** A loose spark plug can overheat and damage the engine. Over tightening the spark plug can damage the threads in the cylinder head.

GEAR CASE SERVICE

For the model GD-14

Change the oil in the gear case every 100 hours of operation. Drain the oil from the gear case through the drain plug. Do not drain oil on the ground.

For the model GD-14 Reverse

Add lubricating oil into the gear case and the mechanism of reverse operation every 100 h. Add 0.2-0.25 kg of lubricating oil of high quality for the power transmission.
Add lubricating oil through the plug that is located on the reverse mechanism and on the gear case housing.

9. Long term storage

When storing for more than a month:

1. Remove a fuel from tank.
2. Run engine until it runs out of fuel.
3. Clean the inside of fuel tank and fuel filter with clean gasoline.
4. Remove the spark plug and put small amount of clean motor oil in the spark plug oil.
5. Pull the starter about 2 or 3 times, then stop pulling when the piston is at the top. Replace the plug.
6. Clean the external part of the motor with a cloth soaked in oil.
7. Store the motor in a dry place away from fire and heat.

Warranty

This product is warranted by the manufacturer to the original purchaser to be free from defects in material and workmanship under normal use for a period of one (1) year from the date of purchase.

During the warranty period, and upon proof of purchase, the product will be repaired or replaced (with the same or similar model at manufacturer's option), without charge for either parts or labour.

Warranty also applies to spare parts. In case of a defect please contact the dealer where you originally purchased this product. The warranty will not apply to this product if it has been misused, abused or altered. Without limiting the foregoing, leakage of the battery, bending or dropping the unit are presumed to be defects resulting from misuse or abuse.

To get warranty support, apply service center: in full complete set; with warranty card; with rest of the fuel (no less 100 ml) in fuel tank. The instrument must be clean. Service center can refuse warranty support in case of non-observance of these claims.

Exceptions from responsibility

The user of this product is expected to follow the instructions given in operators' manual.

Although all instruments leave our warehouse in perfect condition and adjustment the user is expected to carry out periodic checks of the product's accuracy and general performance.

The manufacturer, or its representatives, assumes no responsibility for results of a faulty or intentional usage or misuse including any direct, indirect, consequential damage, and loss of profits.

The manufacturer, or its representatives, assumes no responsibility for consequential damage, and loss of profits by any disaster (earthquake, storm, flood ...), fire, accident, or an act of a third party and/or a usage in other than usual conditions.

The manufacturer, or its representatives, assumes no responsibility for any damage, and loss of profits due to a change of data, loss of data and interruption of business etc., caused by using the product or an unusable product.

The manufacturer, or its representatives, assumes no responsibility for any damage, and loss of profits caused by usage other than explained in the users' manual.

The manufacturer, or its representatives, assumes no responsibility for damage caused by wrong movement or action due to connecting with other products.

WARRANTY DOESN'T EXTEND TO FOLLOWING CASES:

- damage to products or parts caused by misuse, including, without limitation, misapplication or negligence of the terms of service instruction. Usage of expendable materials (oil, belts, filters, plugs) that are not recommended by factory. Or if the instrument was exposed to the self-dependent repair or disassembling during warranty period;
- the instrument that has damages, defects because of outer mechanical, thermal, chemical effects, improper maintenance, storage or acts of God;
- defects caused by reasons that are not depended on the manufacturer, such as usage of fuel that has inadmissible state standard, usage of oil and mixture of inadmissible quality, and also voltage drop of power;
- instrument has damages caused by presence of any liquids and foreign objects inside the product. Ventiducts, fuel and oil holes are clogged up;
- normal runout of the instrument, inner or outer clogging;
- the instrument is overload (continuous operation with max load) that leads to the breakage of piston-cylinder-unit;
- the instrument with breakage of piston-cylinder-unit because of continuous operation at idle;
- damaged parts as a result of operation with unrepaired defects caused by service support, repair or modifications by anyone other than an authorized service center;
- periodic maintenance (cleaning, adjustment, filter replacement and so on);
- if the standard or serial product number will be changed, erased, removed or will be unreadable;
- parts: chains, filters, details of adhesion, cutters, disks, cords, driving belts, shock-absorbers, details of starter group, carbon brushes, AC cables, pressure hoses, plugs, fuel filters, bearings, that don't have visible defects and also life time of details that depends on regular maintenance of the instrument.

For more information you can visit our website WWW.ADAINSTRUMENTS.COM
or write the letter with your questions on info@adainstruments.com

WARRANTY CARD

Name and model of the product _____

Serial number _____ date of sale _____

Name of commercial organization _____ stamp of commercial organization

Warranty period for the instrument exploitation is 12 months after the date of original retail purchase.

During this warranty period the owner of the product has the right for free repair of his instrument in case of manufacturing defects.

Warranty is valid only with original warranty card, fully and clear filled (stamp or mark of the seller is obligatory).

Technical examination of instruments for fault identification which is under the warranty, is made only in the authorized service center.

In no event shall manufacturer be liable before the client for direct or consequential damages, loss of profit or any other damage which occur in the result of the instrument outage.

The product is received in the state of operability, without any visible damages, in full completeness. It is tested in my presence. I have no complaints to the product quality. I am familiar with the conditions of warranty service and I agree.

purchaser signature _____

Before operating you should read service instruction!

If you have any questions about the warranty service and technical support contact seller of this product

Certificate of acceptance and sale

_____ **No** _____

name and model of the instrument

Corresponds to _____

designation of standard and technical requirements

Data of issue _____

Stamp of quality control department

Price

Sold _____ Date of sale _____

name of commercial establishment

Руководство по эксплуатации

Мотобур

Модель: GroundDrill - 14 / GroundDrill - 14 Reverse



RUS

Содержание

1. Введение.....	19
2. Инструкция по безопасности	19
3. Техническое описание	21
4. Технические характеристики	22
5. Подготовка к работе	22
6. Работа	24
7. Конец работы.....	25
8. Ежедневное техобслуживание	26
9. Подготовка к консервации	29
10. Гарантия	30
11. Освобождение от ответственности	30

Приложение 1. Гарантийный талон

Приложение 2. Свидетельство о приемке и продаже

1. Введение

Мотобур Ground Drill-14 предназначен для работы с двумя операторами. При работе возможно заклинивание шнекового бура и обратный удар. Поэтому оба оператора должны быть внимательны во время работы и знать все правила безопасности и возможные риски. Обратный удар, возможный при сверлении, частично гасится конструкцией мотобура. Вы должны уметь использовать мотобур, чтобы избежать возможных травм.

Завод-изготовитель оставляет за собой право на изменение комплектации, внешнего вида изделия и модернизацию отдельных узлов и деталей без уведомления пользователя.

2. Инструкция по безопасности

Надевайте одежду с длинными рукавами и длинные брюки с закрытыми отворотами.

Не надевайте галстук, шарфы, украшения или что-то подобное. Эти предметы могут намотаться на бур в процессе работы.

Используйте защитные очки.

Надевайте шлем во время работы.

Надевайте обувь с нескользящей подошвой.

Используйте защитные наушники для защиты от сильного шума.

Не работайте долгое время летом и зимой. Делайте перерывы в работе.

Не работайте в дождь. Так как поверхность земли влажная и вы можете подскользнуться.

Не работайте внутри помещения или в плохо проветриваемом помещении.

Не курите вблизи бура. Инструмент работает на бензине. Держите бур подальше от огня.

Не снимайте крышку топливного бака и не пытайтесь дозаправиться топливом, если бур работает или нагрет.

Если вы дозаправили бур, протрите поверхность от пролитого топлива.

Храните топливо во взрывобезопасных контейнерах в прохладном месте.

ПРОВЕРКА БУРА ПЕРЕД РАБОТОЙ

Проверьте все болты и гайки. Они должны быть плотно затянуты. При необходимости затяните болты.

Проверьте лезвие шнека на наличие изъянов, трещин, изгибов.

НИКОГДА не пользуйтесь буром, если лезвие шнека повреждено.

ПРЕДУПРЕЖДЕНИЯ ВО ВРЕМЯ ИСПОЛЬЗОВАНИЯ БУРА

Не позволяйте посторонним людям подходить менее, чем на 5м к рабочему месту. ОПАСНО для детей и животных находиться около инструмента во время его работы.

Будьте осторожны при работе на каменистом грунте. Шнек может заклинить и бур может вырваться из рук и причинить травмы.

При работе с буром операторы должны крепко стоять на ногах.

Заглушите двигатель, если к вам приближается посторонний человек.

Не позволяйте детям и не обученным людям работать с инструментом.

Не дотрагивайтесь до шнека при включенном двигателе. При транспортировке всегда выключайте двигатель и дождитесь, пока шнек прекратит вращение.

Во время вращения шнека находитеься на безопасном расстоянии от него.

Перед тем, как бур положить на землю, убедитесь, что шнек прекратил вращаться.

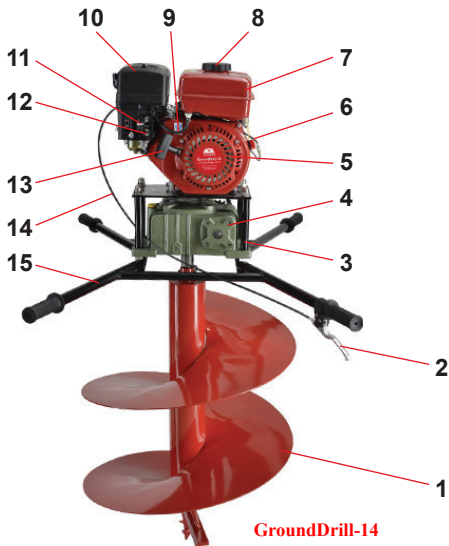
Если вам необходимо глубоко пробурить землю, не пытайтесь это сделать за один раз. Сделайте это за 2-3 попытки.

Во время технического обслуживания или замены частей, заглушите двигатель, снимите колпачок свечи зажигания и дайте двигателю охладиться.

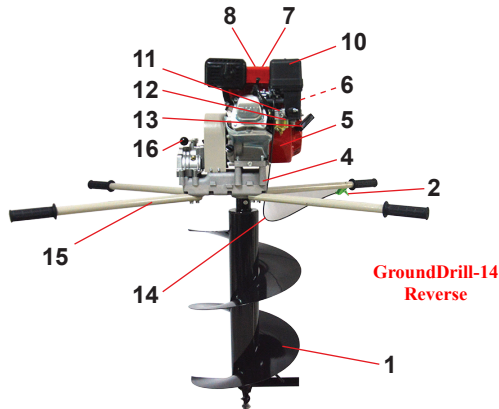
Храните инструмент в чистом виде. Промойте бур от остатков топлива.

НИКОГДА не храните бур около огня.

3. Техническое описание



GroundDrill-14



**GroundDrill-14
Reverse**

1. Винтовое сверло (шнек)
2. Рукоятка газа
3. Рама
4. Редуктор
5. Двигатель
6. Выключатель двигателя

7. Топливный бак
8. Крышка топливного бака
9. Топливопровод
10. Воздушный фильтр
11. Рычаг дросселя (воздушная заслонка)

12. Топливный кран
13. Ручка стартера
14. Тросик газа
15. Ручки рамы
16. Ручка реверса

4. Технические характеристики

Тип двигателя	4-х тактный, возд. охлаждения
Объем двигателя	172 см ³
Топливная смесь	неэтилированный АИ-92
Зажигание	ТСИ
Мощность	8 л.с
Карбюратор	тип перегородка
Объем топливного бака	3,6 л
Объем масла в двигателе	1,1 л

5. Подготовка к работе

Установите ручки на раму бура таким образом, чтобы ручка с рычагом газа располагалась со стороны ручного стартера справа от него. Вкрутите винты в отверстия ручек и рамы и закрепите гайками. Затяните крепления инструментом из комплекта.

ПОДКЛЮЧЕНИЕ ТРОСИКА ДРОССЕЛЬНОЙ ЗАСЛОНКИ

Подсоедините тросик дроссельной заслонки к рычагу управления.

ПОДСОЕДИНЕНИЕ ШНЕКА К РЕДУКТОРУ

Специальная конструкция вала редуктора позволяет устанавливать шнеки с разным диаметром хвостовика: 32 мм и 20 мм. Совместите приводной вал редуктора и хвостовик шнека. Вставьте вал в хвостовик. Зафиксируйте соединение болтом.

ПРОВЕРКА СОСТОЯНИЯ БУРА

1. Осмотрите инструмент на наличие всех частей. Особенно это касается свечи зажигания.
2. Проверьте отсутствие загрязнений воздухозаборника и выхлопной трубы.
3. Мотобур работает на двигателе с воздушным охлаждением. Если воздухозаборник засорен, двигатель может перегреться.



4. Проверьте воздушный фильтр на наличие грязи. Если воздушный фильтр загрязнен, мотобур будет расходовать больше топлива.

УРОВЕНЬ МАСЛА В ДВИГАТЕЛЕ

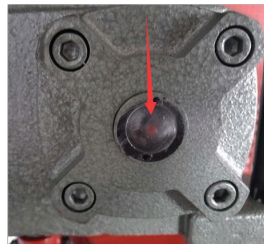
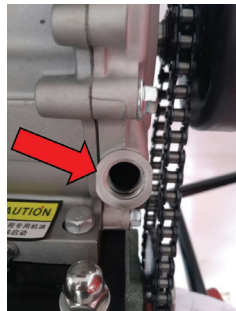
Предупреждение: Моторное масло является основным фактором, влияющим на характеристики и ресурс работы двигателя. Масла, не обладающие моющими свойствами, и растительные масла применять не рекомендуется. Производить проверку уровня моторного масла в картере на ровной поверхности при неработающем двигателе.

Примечание: Для обычной работы в соответствующем температурном диапазоне рекомендуется применять масло SAE 10W-30. При низких температурах рекомендуется применять синтетическое масло SAE Synthetic 5W-30.

Осуществляйте проверку двигателя, только когда он выключен и находится на горизонтальной поверхности.

1. Открутите крышку масло-заливного отверстия картера и тщательно вытрите встроенный в нее щуп.
2. Не закручивая вставить щуп в заливную горловину масляного картера до упора.
3. Если уровень низкий, долить рекомендуемое масло до верхней риски на щупе.

ВНИМАНИЕ: Двигатель оснащен системой автоматического отключения при низком уровне смазочного масла. Если уровень масла в картере двигателя ниже отметки, система автоматически отключает двигатель (даже если выключатель двигателя находится в положении ON). Если после остановки двигатель не заводится, первым делом проверьте уровень масла в картере двигателя.



УРОВЕНЬ МАСЛА В РЕДУКТОРЕ (для модели GD-14)

Перед каждым запуском двигателя проверяйте уровень масла в редукторе по контрольному окошку. Если уровень меньше, открутите пробку заливной горловины редуктора и добавляйте масло до красной точки в окошке, как показано на рисунке. Рекомендуемая смазка трансмиссионное масло API GL-4/5. Объем ~0.7 литра.

ТОПЛИВО

1. Выкрутите крышку топливного бака и проверьте уровень топлива в баке. Если уровень топлива в баке недостаточный, долейте топливо в бак.
2. Используйте только автомобильный бензин (предпочтительно бензин Аи-92 или неэтилированный или низкоэтилированный бензин, что сводит к минимуму образование нагара в камере сгорания). Никогда не используйте смесь масло-бензин или неочищенный бензин. Избегайте попадания в топливный бак грязи, пыли или воды.

ПУСК

1. Поверните кран бензина в положение ON.
 2. Откройте воздушную заслонку. Для этого поверните ручку воздушной заслонки в положение OFF.
- Внимание: Если двигатель очень горячий или температура окружающей среды высокая, не закрывайте воздушную заслонку.
3. Заведите двигатель: поверните выключатель двигателя в положение ON. Осторожно потяните рукоятку стартера до ощущения сопротивления, затем потяните резче. Верните аккуратно захватную рукоятку стартера в прежнее положение.
- Внимание: Не допускайте резкого возврата рукоятки стартера в исходное положение. Осуществляйте возврат спокойно, чтобы избежать повреждения стартера.

6. Работа

ВНИМАНИЕ! Мотобур предназначен для работ с 1 (плотность 600...1600 кг/м³) и 2 (плотность 1600... 1900 кг/м³) категориями грунтов. Время непрерывной работы мотобура с 1 категорией грунта (песок, супесь, растительный грунт, торф) не должно превышать 5 мин. При бурении грунтов 2 категории (легкий суглинок, лёсс, песок со щебнем) время непрерывной работы не более

3 мин. Рекомендуемый перерыв между непрерывными периодами работ не менее 15 мин с полной остановкой двигателя. При бурении запрещено отклонять мотобур от оси бурения более 3 градусов. Чрезмерное отклонение может привести к поломке деталей редуктора. Никогда не пытайтесь за один раз пробурить отверстие на всю глубину шнека. Осуществляйте бурение постепенно. Чрезмерное давление на мотобур может вызвать поломку редуктора, перегрев двигателя и выход его из строя. Заглубитесь на 20-30 см и приподнимая буровой шнек в отверстии, освобождайте его от выработанной земли. Не вынимайте вращающийся шнек полностью из отверстия, иначе есть риск получения травмы. При заклинивании шнека в грунте не пытайтесь его освободить увеличением оборотов двигателя. Это может привести к поломкам шестерен редуктора и деталей двигателя. Необходимо заглушить двигатель и отсоединить его от шнека. Установив стержень подходящего диаметра в отверстие шпильки - освободите шнек вращая его в сторону обратную бурению.

1. Дайте двигателю прогреться около 1 мин.
2. Нажимайте и отпускайте рукоятку дроссельной заслонки (рычаг газа) до достижения желаемых оборотов. Если двигатель снижает обороты под нагрузкой отрегулируйте положение рычага дросселя.

Важно! Не работайте без напарника, так как это может привести к травмам. Не работайте на высоких оборотах долгое время, так как инструменту нужно время, чтобы смазать все внутренние части. Не работайте на высоких оборотах без нагрузки.

ВЫБОР НАПРАВЛЕНИЯ ВРАЩЕНИЯ РЕДУКТОРА (для модели GD 14 Reverse)

Редуктор мотобура ADA Ground Drill 14 Reverse позволяет менять направление вращения. При бурении шнеками большого диаметра от 300 мм и в сложных грунтах рекомендуется использовать реверс. При заглублении шнека полностью остановите вращение отпустив ручку газа. После полной остановки измените направление вращения. Переведите рычаг управления реверсом в крайнее положение в направлении от двигателя. Нажмите ручку газа и задайте обороты шнека. При этом медленно поднимайте мотобур вверх. Режим обратного вращения используется только для легкого извлечения шнека из земли. Не используйте его для бурения. В режиме бурения рычаг управления реверсом должен быть в крайнем положении по направлению к двигателю.

7. Конец работы

1. Отпустите ручку газа до скорости холостого хода.
2. Поверните переключатель в положение OFF.

Важно! Мотобур следует хранить без топлива в топливном баке. Бензобак не должен находиться в наклонном состоянии. В противном случае топливо может пролиться. Работающие части двигателя могут быть очень горячими.

8. Ежедневное техобслуживание

Заглушите двигатель, прежде чем проводить какой-либо ремонт. Чтобы предотвратить случайное включение двигателя, отсоедините колпак свечи зажигания.

Примечание: Если Вы хотите добиться высокого уровня работы двигателя, важно периодически проводить его осмотр и регулировку. Регулярный техосмотр также будет способствовать увеличению срока эксплуатации двигателя.

В таблице технического обслуживания приводятся необходимые интервалы между осмотрами и техническим обслуживанием.

Проверяемые элементы / срок		При каждом включении	Первый месяц или через 5 часов	Каждый сезон или через 25 часов	Каждый сезон или через 50 часов	Каждые 100 часов
Масло	проверить	*				
	заменить		*		*	*
Воздушный фильтр	проверить	*				
	почистить			*	*	*
Свеча зажигания	Проверить - прочистить					*
Топливный бак и фильтр	прочистить					*
Топливопровод	проверить	Каждые 2 года (замена в случае необходимости)				

Примечание:

- (1) Осматривайте чаще, если используете двигатель в пыльных районах.
- (2) При использовании двигателя в режиме сильной нагрузки или при высокой окружающей температуре производите смену масла каждые 25 часов.

ЗАМЕНА МАСЛА

1. Сливайте масло из двигателя, пока он не остыл.
2. Выверните крышку маслозаливного отверстия и пробку, слейте масло.
3. Вновь установите пробку и тщательно ее затяните.
4. Наполните картер рекомендуемым видом масла и проверьте уровень масла.
5. Установите обратно крышку маслозаливного отверстия.

ТЕХНИЧЕСКОЕ ОБСЛУЖИВАНИЕ ВОЗДУШНОГО ФИЛЬТРА

Загрязненный фильтр затруднит приток воздуха в карбюратор. Во избежание неисправностей в работе карбюратора, регулярно чистите фильтр. Делайте это чаще, если двигатель работает на пыльных территориях.

- а) Отверните барашковую гайку, снимите крышку фильтра и отсоедините элемент;
- б) Промойте в неогнеопасном растворителе и дайте детали высохнуть;
- в) Погрузите деталь в чистое машинное масло, чтобы она пропиталась. Выжмите излишки масла, иначе на этапе запуска двигателя, он будет некоторое время дымить;
- г) Установите детали в первоначальное положение.

Предупреждение: Никогда не используйте для чистки воздушного фильтра бензин или другие растворители. Это может привести к возгоранию. Никогда не включайте двигатель без воздушного фильтра. Это приведет к быстрому изнашиванию двигателя.

ОЧИСТКА ТОПЛИВНОГО ФИЛЬТРА

Предупреждение: В определенных условиях бензин является чрезвычайно пожаро- и взрывоопасным веществом. Не курите и не допускайте появления искр и пламени на рабочей территории.

Поверните топливный кран в положение «OFF» («Выкл.»), извлеките отстойник и уплотнительное кольцо. Промойте их в неогнеопасном растворителе или растворителе с высокой точкой возгорания. Высушите деталь и установите ее на место. Поверните топливный кран в положение «ON» («Вкл.») и проверьте, нет ли утечки.

ТЕХНИЧЕСКОЕ ОБСЛУЖИВАНИЕ СВЕЧИ ЗАЖИГАНИЯ

Рекомендуемые свечи: F7RTC или аналогичные.

Предупреждение: Никогда не используйте свечи, рассчитанные на другой тепловой режим. Чтобы двигатель работал нормально, свеча должна быть установлена с правильным зазором и на ней не должно быть налета.

1. Снимите наконечник высоковольтного провода со свечи и выверните ее с помощью свечного ключа.

Предупреждение: Во время работы двигателя, глушитель сильно разогревается. Будьте внимательны и не прикасайтесь к нему, пока он не остынет.

2. Осмотрите свечу.

3. Замените свечу, если она выглядит изношенной или если изоляция треснула или крошится. В случае, если свечу еще можно использовать, почистите ее щеткой.

4. Измерьте зазор свечи щупом для измерения зазоров. Отрегулируйте расстояние, сгибая боковой электрод. Зазор должен быть: 0,70 - 0,80 мм.

5. Проверьте, чтобы шайба свечи была в хорошем состоянии и ввинтите свечу рукой так, чтобы избежать перекоса резьбы. Затяните свечу ключом, чтобы сжать шайбу.

Внимание: Когда Вы устанавливаете новую свечу, для прижатия шайбы затяните ее еще на 1/2 оборота. Если вы устанавливаете свечу, которой вы пользовались ранее, затяните на 1/8-1/4 оборота.

Предупреждение: Свеча должна быть тщательно установлена и прижата. Недостаточно прижатая свеча может очень сильно перегреться и повредить двигатель.

ОБСЛУЖИВАНИЕ РЕДУКТОРА

Для модели GD 14

Через каждые 100 часов (раз в сезон) работы замените масло в редукторе. Удалите масло из редуктора через сливную пробку. Не сливайте масло на землю.

Для модели GD 14 Reverse

Через каждые 100 часов (раз в сезон) работы пополняйте количество смазки в редукторе и механизме управления реверсом, добавив 0.2-0.25 кг качественной литоловой смазки для механических передач.

Смазку добавлять через пробку на механизме реверса и на корпусе редуктора.

9. Подготовка к консервации

При хранении больше месяца:

1. Слить все топливо из топливного бака.
2. Завести двигатель и дать ему поработать до полной остановки.
3. Промойте внутреннюю часть топливного бака и топливный фильтр чистым бензином.
4. Уберите свечу зажигания и капните чистого моторного масла в отверстие свечи зажигания.
5. Прокрутите двигатель 2 или 3 раза, затем остановитесь, когда поршень будет находится наверху. Поместите обратно свечу зажигания.
6. Протрите внешнюю часть двигателя тканью, пропитанную маслом.
7. Храните двигатель в сухом месте подальше от огня и жары.

Гарантия

Производитель предоставляет гарантию на продукцию покупателю в случае дефектов материала или качества его изготовления во время использования оборудования с соблюдением инструкции пользователя на срок до 1 года со дня покупки. Во время гарантийного срока, при предъявлении доказательства покупки, прибор будет починен или заменен на такую же или аналогичную модель бесплатно. Гарантийные обязательства также распространяются и на запасные части. В случае дефекта, пожалуйста, свяжитесь с дилером, у которого вы приобрели прибор. Гарантия не распространяется на продукт, если повреждения возникли в результате деформации, неправильного использования или ненадлежащего обращения. Все вышеизложенные безо всяких ограничений причины, а также утечка батареи, деформация прибора являются дефектами, которые возникли в результате неправильного использования или плохого обращения.

Для гарантийного обслуживания инструмент предоставляется в сервисный центр:

в полной комплектации; с гарантийным талоном; с остатками топлива в бензобаке не менее 100 мл; в чистом виде.

При несоблюдении этих требований сервисный центр имеет право отказать Вам в гарантийном обслуживании.

Освобождение от ответственности

Пользователю данного продукта необходимо следовать инструкциям, которые приведены в руководстве по эксплуатации. Даже, несмотря на то, что все приборы проверены производителем, пользователь должен проверять точность прибора и его работу.

Производитель или его представители не несут ответственности за прямые или косвенные убытки, упущенную выгоду или иной ущерб, возникший в результате неправильного обращения с прибором.

Производитель или его представители не несут ответственности за косвенные убытки, упущенную выгоду, возникшие в результате катастроф (землетрясение, шторм, наводнение и т.д.), пожара, несчастных случаев, действия третьих лиц и/или использование прибора в необычных условиях.

Производитель или его представители не несут ответственности за косвенные убытки, упущенную выгоду, возникшие в результате изменения данных, потери данных и временной приостановки бизнеса и т.д., вызванных применением прибора.

Производитель или его представители не несут ответственности за косвенные убытки, упущенную выгоду, возникшие в результате использования прибора не по инструкции.

ГАРАНТИЙНЫЕ ОБЯЗАТЕЛЬСТВА НЕ РАСПРОСТРАНЯЮТСЯ:

- на инструмент, эксплуатировавшийся с нарушением инструкции по эксплуатации, в том числе если использовались не рекомендованные заводом-изготовителем расходные материалы (масла, свечи, ремни, фильтры), и на инструмент, подвергшийся самостоятельному ремонту или разборке в гарантийный период;
- на инструмент, имеющий повреждения, дефекты, вызванные внешними механическими, термическими, химическими воздействиями, небрежным уходом, неправильным хранением, стихийными бедствиями;
- на недостатки, которые вызваны не зависящими от производителя причинами, такими как использование недопустимого государственными стандартами качества топлива, масла и смеси ненадлежащего качества, а также перепады напряжения питания;
- на инструмент, имеющий повреждения, вызванный попаданием внутрь посторонних предметов, жидкостей, а также засором вентиляционных отверстий, топливных и масляных каналов;
- на естественный износ инструмента (полная выработка ресурса, сильное внешнее или внутреннее загрязнение);
- на инструмент, работавший с перегрузками (длительная работа на максимальных оборотах), которые привели к тепловым задирам в цилиндро-поршневой группе;
- на инструмент с тепловыми задирами в цилиндро-поршневой группе, возникшими вследствие его длительной эксплуатации на холостом ходу;
- на повреждения изделия, возникшие вследствие эксплуатации с неустранимыми недостатками и/либо возникшие в следствии технического обслуживания, ремонта или конструктивных изменений лицами или организациями, не имеющими соответствующих полномочий;
- на периодическое обслуживание инструмента (регулировка, чистка, замена фильтров и т. п.);
- если удален, неразборчив или изменен серийный номер инструмента;
- на детали и узлы: цепи, шины, фильтры, детали сцепления, ножи, диски, кордовые шнуры, приводные ремни, амортизаторы, детали стартерной группы, угольные щетки, сетевые кабели, напорные шланги, свечи, топливные фильтры, подшипники, не имеющие выраженных признаков дефекта, а также детали, срок службы которых зависит от регулярного технического обслуживания инструмента.

Для получения дополнительной информации Вы можете посетить наш Интернет сайт WWW.ADAINSTRUMENTS.COM или написать письмо с интересующими Вас вопросами на электронный адрес info@adainstruments.com

ГАРАНТИЙНЫЙ ТАЛОН

Наименование изделия и модель _____

Серийный номер _____ Дата продажи _____

Наименование торговой организации _____ Штамп торговой организации мп.

Гарантийный срок эксплуатации приборов составляет 12 месяцев со дня продажи и распространяется на оборудование, ввезенное на территорию РФ официальным импортером.

В течении гарантийного срока владелец имеет право на бесплатный ремонт изделия по неисправностям, являющимся следствием производственных дефектов.

Гарантийные обязательства действительны только по предъявлении оригинального талона, заполненного полностью и четко (наличие печати и штампа с наименованием и формой собственности продавца обязательно).

Техническое освидетельствование приборов (дефектация) на предмет установления гарантийного случая производится только в авторизованной мастерской.

Производитель не несет ответственности перед клиентом за прямые или косвенные убытки, упущенную выгоду или иной ущерб, возникшие в результате выхода из строя приобретенного оборудования.

Правовой основой настоящих гарантийных обязательств является действующее законодательство, в частности, Федеральный закон РФ “О защите прав потребителя” и Гражданский кодекс РФ ч.II ст. 454-491.

Товар получен в исправном состоянии, без видимых повреждений, в полной комплектности, проверен в моем присутствии, претензий по качеству товара не имею. С условиями гарантийного обслуживания ознакомлен и согласен.

Подпись получателя _____

Перед началом эксплуатации внимательно ознакомьтесь с инструкцией по эксплуатации!

По вопросам гарантийного обслуживания и технической поддержки обращаться к продавцу данного товара

СВИДЕТЕЛЬСТВО О ПРИЕМКЕ И ПРОДАЖЕ

№ _____

НАИМЕНОВАНИЕ И ТИП ПРИБОРА

Соответствует _____

_____ обозначение стандарта и технических условий

Дата выпуска _____

Штамп ОТК (клеймо приемщика)

Цена

Продан(а) _____

Дата продажи _____

**ADA
MEASUREMENT FOUNDATION**

WWW.ADAINSTRUMENTS.COM