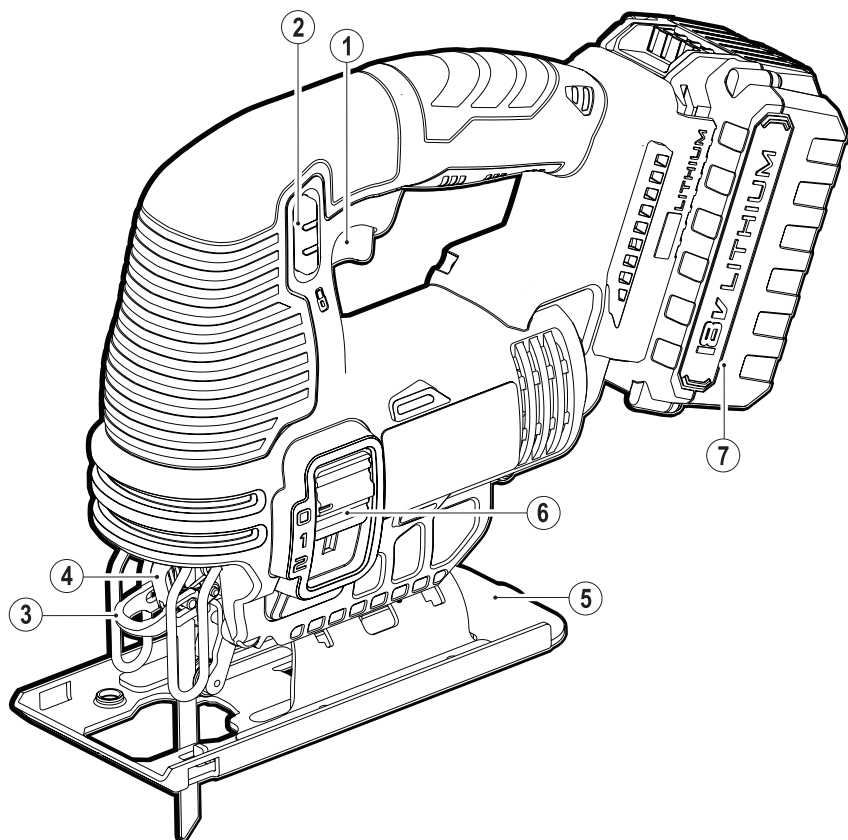
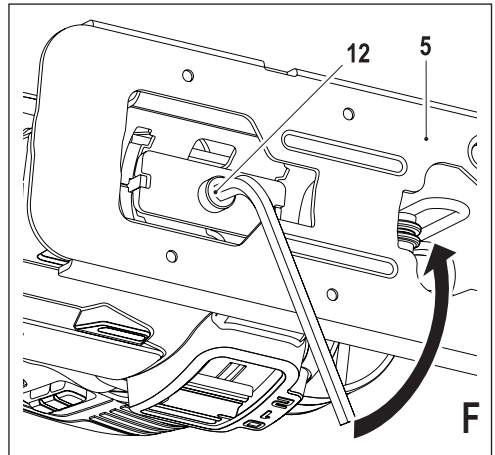
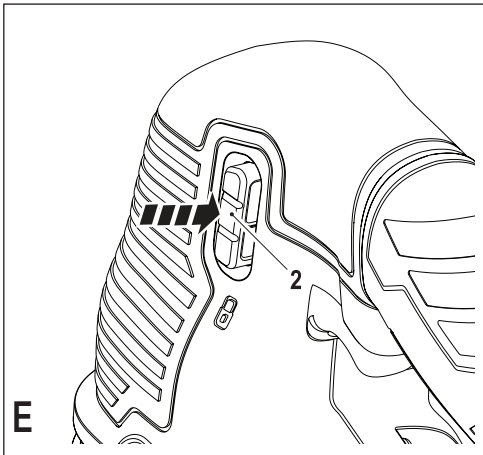
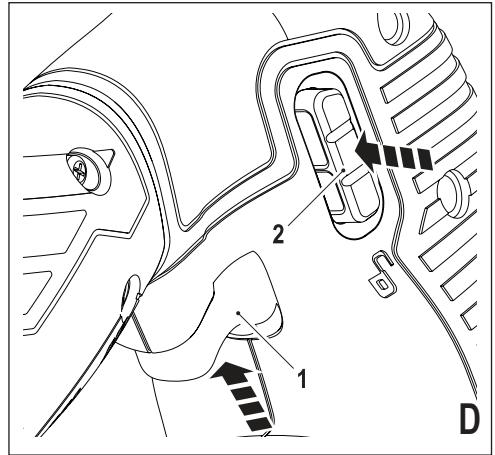
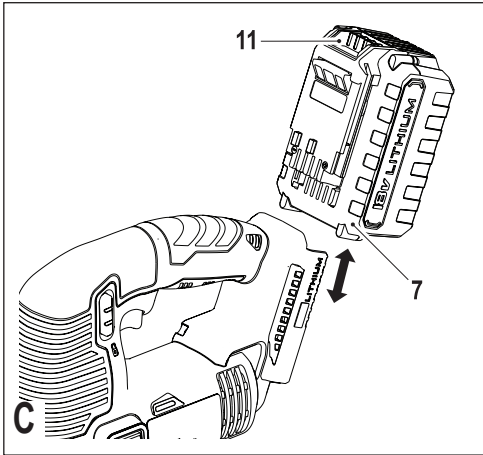
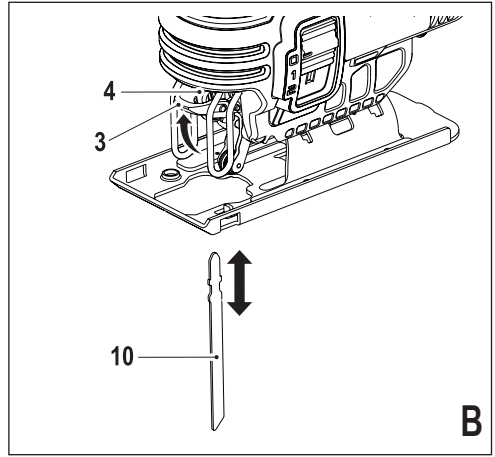
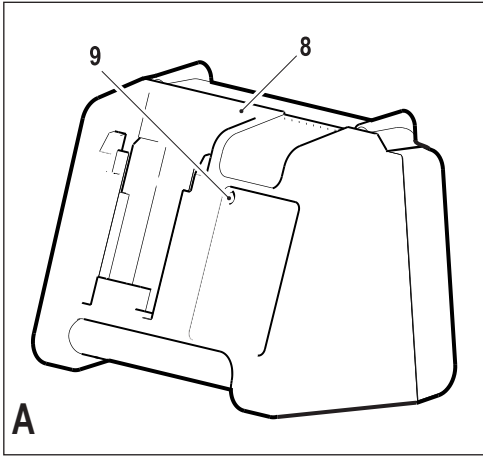


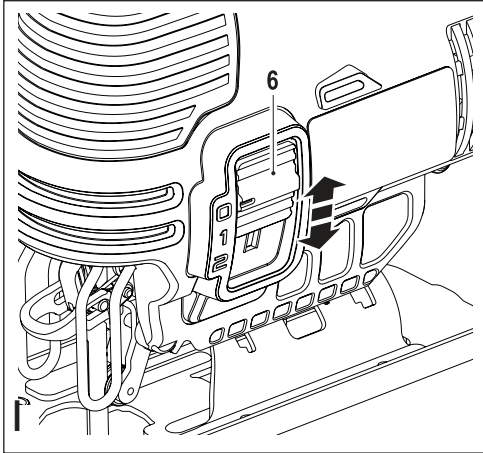
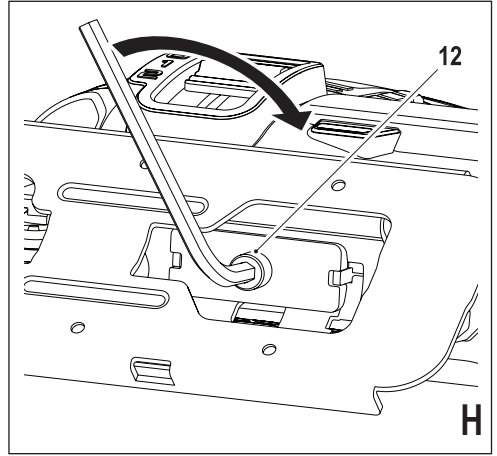
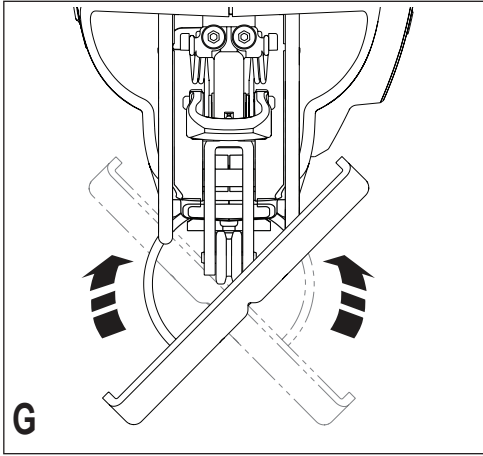
# STANLEY®



**STSC1860**

English Page 4  
Russian Page 10





## Intended use

Your STANLEY STSC1860 jigsaw has been designed for sawing wood, plastics and sheet metal. This tool is intended for professional users.

## Safety instructions

### General power tool safety warnings



**Warning!** Read all safety warnings, instructions, illustrations and specifications provided with this power tool. Failure to follow all instructions listed below may result in electric shock, fire and/or serious injury.

### Save all warnings and instructions for future reference.

The term "power tool" in all of the warnings listed below refers to your mains operated (corded) power tool or battery operated (cordless) power tool.

1. **Work area safety**
  - a. **Keep work area clean and well lit.** Cluttered or dark areas invite accidents.
  - b. **Do not operate power tools in explosive atmospheres, such as in the presence of flammable liquids, gases or dust.** Power tools create sparks which may ignite the dust or fumes.
  - c. **Keep children and bystanders away while operating a power tool.** Distractions can cause you to lose control.
2. **Electrical safety**
  - a. **Power tool plugs must match the outlet. Never modify the plug in any way.**  
Do not use any adapter plugs with earthed (grounded) power tools. Unmodified plugs and matching outlets will reduce risk of electric shock.
  - b. **Avoid body contact with earthed or grounded surfaces such as pipes, radiators, ranges and refrigerators.** There is an increased risk of electric shock if your body is earthed or grounded.
  - c. **Do not expose power tools to rain or wet conditions.** Water entering a power tool will increase the risk of electric shock.
  - d. **Do not abuse the cord. Never use the cord for carrying, pulling or unplugging the power tool. Keep cord away from heat, oil, sharp edges or moving parts.** Damaged or entangled cords increase the risk of electric shock.
  - e. **When operating a power tool outdoors, use an extension cord suitable for outdoor use.** Use of a cord suitable for outdoor use reduces the risk of electric shock.
  - f. **If operating a power tool in a damp location is unavoidable, use a residual current device (RCD) protected supply.** Use of an RCD reduces the risk of electric shock.
3. **Personal safety**
  - a. **Stay alert, watch what you are doing and use common sense when operating a power tool.**  
Do not use a power tool while you are tired or under the influence of drugs, alcohol or medication. A moment of inattention while operating power tools may result in serious personal injury.
  - b. **Use personal protective equipment. Always wear eye protection.** Protective equipment such as dust mask, non-skid safety shoes, hard hat, or hearing protection used for appropriate conditions will reduce personal injuries.
  - c. **Prevent unintentional starting. Ensure the switch is in the off-position before connecting to power source and/or battery pack, picking up or carrying the tool.** Carrying power tools with your finger on the switch or energising power tools that have the switch on invites accidents.
  - d. **Remove any adjusting key or wrench before turning the power tool on.** A wrench or a key left attached to a rotating part of the power tool may result in personal injury.
  - e. **Do not overreach. Keep proper footing and balance at all times.** This enables better control of the power tool in unexpected situations.
  - f. **Dress properly. Do not wear loose clothing or jewellery. Keep your hair and clothing away from moving parts.** Loose clothes, jewellery or long hair can be caught in moving parts.
  - g. **If devices are provided for the connection of dust extraction and collection facilities, ensure these are connected and properly used.** Use of dust collection can reduce dust-related hazards.
  - h. **Do not let familiarity gained from frequent use of tools allow you to become complacent and ignore tool safety principles.** A careless action can cause severe injury within a fraction of a second.
4. **Power tool use and care**
  - a. **Do not force the power tool. Use the correct power tool for your application.**  
The correct power tool will do the job better and safer at the rate for which it was designed.
  - b. **Do not use the power tool if the switch does not turn it on and off.** Any power tool that cannot be controlled with the switch is dangerous and must be repaired.
  - c. **Disconnect the plug from the power source and/or remove the battery pack, if detachable, from the power tool before making any adjustments, changing accessories, or storing power tools.** Such preventive safety measures reduce the risk of starting the power tool accidentally.

- d. **Store idle power tools out of the reach of children and do not allow persons unfamiliar with the power tool or these instructions to operate the power tool.** Power tools are dangerous in the hands of untrained users.
- e. **Maintain power tools and accessories. Check for misalignment or binding of moving parts, breakage of parts and any other condition that may affect the power tools operation. If damaged, have the power tool repaired before use.** Many accidents are caused by poorly maintained power tools.
- f. **Keep cutting tools sharp and clean.** Properly maintained cutting tools with sharp cutting edges are less likely to bind and are easier to control.
- g. **Use the power tool, accessories and tool bits etc. in accordance with these instructions, taking into account the working conditions and the work to be performed.**  
Use of the power tool for operations different from those intended could result in a hazardous situation.
- h. **Keep handles and grasping surfaces dry, clean and free from oil and grease.** Slippery handles and grasping surfaces do not allow for safe handling and control of the tool in unexpected situations.
5. **Battery tool use and care (only used for battery tools)**
- a. **Recharge only with the charger specified by the manufacturer.** A charger that is suitable for one type of battery pack may create a risk of fire when used with another battery pack.
- b. **Use power tools only with specifically designated battery packs.** Use of any other battery packs may create a risk of injury and fire.
- c. **When battery pack is not in use, keep it away from other metal objects, like paper clips, coins, keys, nails, screws, or other small metal objects, that can make a connection from one terminal to another.** Shorting the battery terminals together may cause burns or a fire.
- d. **Under abusive conditions, liquid may be ejected from the battery; avoid contact. If contact accidentally occurs, flush with water. If liquid contacts eyes, additionally seek medical help.** Liquid ejected from the battery may cause irritation or burns.
- e. **Do not use a battery pack or tool that is damaged or modified.** Damaged or modified batteries may exhibit unpredictable behaviour resulting in fire, explosion or risk of injury.
- f. **Do not expose a battery pack or tool to fire or excessive temperature.** Exposure to fire or temperature above 130 °C may cause explosion.  
NOTE: The temperature „130 °C“ can be replaced by the temperature „265 °F“.
- g. **Follow all charging instructions and do not charge the battery pack or tool outside the temperature range specified in the instructions.** Charging improperly or at temperatures outside the specified range may damage the battery and increase the risk of fire.
6. **Service**
- a. **Have your power tool serviced by a qualified repair person using only identical replacement parts.** This will ensure that the safety of the power tool is maintained.
- b. **Never service damaged battery packs.** Service of battery packs should only be performed by the manufacturer or authorized service providers (only used for battery tools).

### Additional Power Tool Safety Warnings

- **Hold the power tool by insulated gripping surfaces, when performing an operation where the cutting tool may contact hidden wiring or its own cord.** Contact with a "live" wire will also make exposed metal parts of the power tool "live" and could give the operator an electric shock.
- **Use clamps or another practical way to secure and support the workpiece to a stable platform.** Holding the workpiece by hand or against your body leaves it unstable and may lead to loss of control.
- **Keep hands away from cutting area. Never reach underneath the work piece any reason.** Do not insert fingers or thumb into the vicinity of the reciprocating blade and blade clamp. Do not stabilize the saw by gripping the shoe.
- **Keep blades sharp.** Dull or damaged blades may cause the saw to swerve or stall under pressure. Always use the appropriate type of saw blade for the workpiece material and type of cut.
- When cutting pipe or conduit, make sure that they are free from water, electrical wiring, etc.
- **Do not touch the workpiece or the blade immediately after operating the tool.** They can become very hot.
- **Be aware of hidden hazards, before cutting into walls, floors or ceilings, check for the location of wiring and pipes.**
- **The blade will continue to move after releasing the switch.** Always switch the tool off and wait for the saw blade to come to a complete standstill before putting the tool down.



**Warning!** Contact with, or inhalation of dusts arising from cutting applications may endanger the health of

the operator and possible bystanders. Wear a dust mask specifically designed for protection against dust and fumes and ensure that persons within or entering the work area are also protected.

- The intended use is described in this instruction manual. The use of any accessory or attachment or performance of any operation with this tool other than those recommended in this instruction manual may present a risk of personal injury and/or damage to property.

### Safety of others

- This tool is not intended for use by persons (including children) with reduced physical, sensory or mental capabilities, or lack of experience and knowledge, unless they have been given supervision or instruction concerning use of the appliance by a person responsible for their safety.
- Children should be supervised to ensure that they do not play with the appliance.

### Residual Risks

Additional residual risks may arise when using the tool which may not be included in the enclosed safety warnings. These risks can arise from misuse, prolonged use etc.

Even with the application of the relevant safety regulations and the implementation of safety devices, certain residual risks can not be avoided. These include:

- Injuries caused by touching any rotating/moving parts.
- Injuries caused when changing any parts, blades or accessories.
- Injuries caused by prolonged use of a tool. When using any tool for prolonged periods ensure you take regular breaks.
- Impairment of hearing.
- Health hazards caused by breathing dust developed when using your tool (example:- working with wood, especially oak, beech and MDF.)

### Vibration

The declared vibration emission values stated in the technical data and the declaration of conformity have been measured in accordance with a standard test method provided by EN62841 and may be used for comparing one tool with another. The declared vibration emission value may also be used in a preliminary assessment of exposure.



**Warning!** The vibration emission value during actual use of the power tool can differ from the declared value depending on the ways in which the tool is used. The vibration level may increase above the level stated.

When assessing vibration exposure to determine safety measures required by 2002/44/EC to protect persons regularly using power tools in employment, an estimation of vibration exposure should consider, the actual conditions of use and the way the tool is used, including taking account of all parts of the operating cycle such as the times when the tool

is switched off and when it is running idle in addition to the trigger time.

### Labels on tool

The following symbols are shown on the tool along with the date code:



**Warning!** To reduce the risk of injury, the user must read the instruction manual.

### Additional safety instructions for batteries and chargers

#### Batteries

- Never attempt to open for any reason.
- Do not expose the battery to water.
- Do not store in locations where the temperature may exceed 40 °C.
- Charge only at ambient temperatures between 10 °C and 40 °C.
- Charge only using the charger provided with the tool.
- When disposing of batteries, follow the instructions given in the section "Protecting the environment".



Do not attempt to charge damaged batteries.

#### Chargers

- Use your charger only to charge the battery in the tool with which it was supplied. Other batteries could burst, causing personal injury and damage.
- Never attempt to charge non-rechargeable batteries.
- Have defective cords replaced immediately.
- Do not expose the charger to water.
- Do not open the charger.
- Do not probe the charger.



The charger is intended for indoor use only.

### Electrical safety



This toolcharger is double insulated; therefore no earth wire is required. Always check that the power supply corresponds to the voltage on the rating plate.

- If the supply cord is damaged, it must be replaced by the manufacturer or an authorised STANLEY Service Centre in order to avoid a hazard.



**Warning!** The vibration emission value during actual use of the power tool can differ from the declared value depending on the ways in which the tool is used. The vibration level may increase above the level stated.

### Features

This tool includes some or all of the following features.

1. Variable speed trigger switch
2. Lock-off button
3. Saw blade locking lever

4. Blade clamp
5. Shoe plate
6. Cutting action button
7. Battery (Not supplied)

**fig. A**

8. Battery charger (Not supplied)
9. Charge indicator

**Assembly**

**Warning!** Before assembly, remove the battery from the tool and make sure that the saw blade has stopped. Used saw blades may be hot.

**Fitting and removing the saw blade (fig. B)**

- Hold the saw blade (10) with the teeth facing forward.
- Lift the saw blade locking lever (3) upwards.
- Insert the shank of the blade fully into the blade clamp (4) as far as it will go.
- Release the lever.
- To remove the saw blade (10), lift the saw blade locking lever (3) upwards and pull the blade out.

**Fitting and removing the battery (fig. C)**

- To fit the battery (7), line it up with the receptacle on the tool. Slide the battery into the receptacle and push until the battery snaps into place.
- To remove the battery, push the release buttons (11) while at the same time pulling the battery out of the receptacle.

**Use**

**Warning!** Let the tool work at its own pace. Do not overload.



**Warning!** Never use the tool when the saw shoe is loose or removed.

**Charging the battery (fig. A)**

The battery needs to be charged before first use and whenever it fails to produce sufficient power on jobs that were easily done before. The battery may become warm while charging; this is normal and does not indicate a problem.



**Warning!** Do not charge the battery at ambient temperatures below 10 °C or above 40 °C. Recommended charging temperature: approx. 24 °C.

**NOTE: The charger will not charge a battery if the cell temperature is below approximately 10 °C or above 40 °C. The battery should be left in the charger and the charger will begin to charge automatically when the cell temperature warms up or cools down.**

- To charge the battery (7), insert it into the charger (8). The battery will only fit into the charger in one way. Do not force. Be sure that the battery is fully seated in the charger.
- Plug in the charger and switch on at the mains.

The charging indicator (9) will blink.

The charge is complete when the charging indicator (9)

switches to continuously on. The charger and the battery can be left connected indefinitely. The LED will switch on as the charger occasionally tops up the battery charge.

- Charge discharged batteries within 1 week. Battery life will be greatly diminished if stored in a discharged state.

**Leaving the battery in the charger**

The charger and battery pack can be left connected with the LED glowing indefinitely. The charger will keep the battery pack fresh and fully charged.

**Charger diagnostics**

If the charger detects a weak or damaged battery, the charging indicator (9) will flash red at a fast rate. Proceed as follows:

- Re-insert the battery (7).
- If the charging indicators continues flashing red at a fast rate, use a different battery to determine if the charging process works properly.
- If the replaced battery charges correctly, the original battery is defective and should be returned to a service centre for recycling.
- If the new battery gives the same indication as the original battery, take the charger to be tested at an authorised services centre.

**Note: It may take as long as 30 minutes to determine that the battery is defective. If the battery is too hot or too cold, the LED will alternately blink red, fast and slow, one flash at each speed and repeat.**

**Switching on and off (fig. D & E)**

- To switch on, slide the lock off switch (2) to the left then pull and hold the variable speed trigger switch (1).
- To switch off, release the trigger switch (1).



**Warning!** Do not switch the tool on or off while under load.



**Warning!** Always slide the lock off switch (2) to the right, the locked position when the tool is not in use.

**Variable speed control**

The variable speed on/off switch offers a choice of speeds for greatly improved cutting rates in various materials.

- The speed is determined by the amount the trigger switch (1) is pulled.

**Bevel cutting (fig. F, G & H)**

The shoe plate can be set to a left or right bevel angle of 45°.

**To set the bevel angle:**


- Loosen the shoe retaining bolt (12) with the hex key provided to unlock the shoe plate (5).
- Slide the shoe plate (5) forward to release it from the 0° detent.
- Rotate the shoe plate to the desired bevel angle (fig. G).
- Slide the shoe plate backwards to engage the left or right detent.

- Tighten the shoe retaining bolt (12) with the hex key provided to lock the shoe plate (5) in the required position.

**Note:** The shoe can be beveled to the left or to the right and has detents at 45°.

**Cutting action (fig. 1)**

This jig saw is equipped with three cutting actions, two orbital and one straight. Orbital action has a more aggressive blade motion and is designed for cutting in soft materials like wood or plastic. Orbital action provides a faster cut, but with a less smooth cut across the material. In orbital action, the blade moves forward during the cutting stroke in addition to the up and down motion.

 **Warning!** Metal or hardwoods should never be cut in orbital action.

- Slide the cutting action button (6) between the three cutting positions: 0, 1 and 2.
- Position 0 is for straight cutting.
- Positions 1 and 2 are for orbital cutting.
- The aggressiveness of the cut increases as the lever is adjusted from one to two, with two being the most aggressive cut.

**Sawing**

- Always hold the tool with both hands.
- Let the blade run freely for a few seconds before starting the cut.
- Apply only a gentle pressure to the tool while performing the cut.
- If possible, work with the shoe plate (5) pressed against the workpiece. This will improve tool control and reduce tool vibration, as well as prevent the blade from being damaged.

**Hints for optimum use**

**General**

- Use a high speed for wood, a medium speed for aluminium and PVC and a low speed for metals other than aluminium.

**Sawing laminates**

As the saw blade cuts on the upward stroke, splintering may occur on the surface closest to the shoe plate.

- Use a fine-tooth saw blade.
- Saw from the back surface of the workpiece.
- To minimise splintering, clamp a piece of scrap wood or hardboard to both sides of the workpiece and saw through this sandwich.

**Sawing metal**

Be aware that sawing metal takes much more time than sawing wood.

- Use a saw blade suitable for sawing metal. Use a fine-tooth saw blade for ferrous metals and a coarser saw blade for non-ferrous metals.

- When cutting thin sheet metal, clamp a piece of scrap wood to the back surface of the workpiece and cut through this sandwich.
- Spread a film of oil along the intended line of cut.


**Accessories**

The performance of your tool depends on the accessory used. STANLEY accessories are engineered to high quality standards and designed to enhance the performance of your tool. By using these accessories you will get the very best from your tool. This tool is suitable both for U-shank and T-shank saw blades.

**Maintenance**

Your STANLEY tool has been designed to operate over a long period of time with a minimum of maintenance. Continuous satisfactory operation depends upon proper tool care and regular cleaning.

Your charger does not require any maintenance apart from regular cleaning.

 **Warning!** Before performing any maintenance on the tool, unplug/remove the battery from the tool. Unplug the charger before cleaning it.

- Regularly clean the ventilation slots in your tool and charger using a soft brush or dry cloth.
- Regularly clean the motor housing using a damp cloth. Do not use any abrasive or solvent-based cleaner.

**Protecting the environment**



Separate collection. Products and batteries marked with this symbol must not be disposed of with normal household waste.

Products and batteries contain materials that can be recovered or recycled, reducing demand for raw materials. Please recycle electrical products and batteries according to local provisions. Further information is available at [www.2helpU.com](http://www.2helpU.com)

**Technical data**

STSC1860			
Voltage	V <sub>n</sub>	18	
No-load speed	min <sup>-1</sup>	0 - 2500	
Stroke length	mm	19	
Max depth of cut			
Wood	mm	55	
Steel	mm	8	
Aluminium	mm	20	
Weight	kg	2.62	



Charger		Not supplied
Input Voltage	$V_{ac}$	
Output Voltage	$V_{dc}$	
Current	A	
Approx. charge time	min	

Battery		Not supplied
Voltage	$V_{dc}$	
Capacity	Ah	
Type		

<b>Level of sound pressure according to EN62841:</b> $L_{pA}$ (sound pressure) 84.5 dB(A), Uncertainty (K) 5 dB(A)
$L_{wA}$ (sound power) 95.5 dB(A), Uncertainty (K) 5 dB(A)
<b>Vibration total values (triax vector sum) according to EN62841:</b>
Cutting boards ( $a_{a_1}$ ) 6.0 m/s <sup>2</sup> , uncertainty (K) 1.5 m/s <sup>2</sup>
Cutting sheet metal ( $a_{a_1}$ ) 4.3 m/s <sup>2</sup> , uncertainty (K) 1.5 m/s <sup>2</sup>

## Guarantee

STANLEY is confident of the quality of its products and offers consumers a 24 month guarantee from the date of purchase. This guarantee is in addition to and in no way prejudices your statutory rights. The guarantee is valid within the territories of the Member States of the European Union and the European Free Trade Area.

To claim on the guarantee, the claim must be in accordance with STANLEY Terms and Conditions and you will need to submit proof of purchase to the seller or an authorised repair agent.

Terms and conditions of the STANLEY 2 year guarantee and the location of your nearest authorised repair agent can be obtained on the Internet at [www.2helpU.com](http://www.2helpU.com), or by contacting your local STANLEY office at the address indicated in this manual.

## Назначение

Лобзик STANLEY STSC1860 предназначен для пиления дерева, пластика и листового металла. Данный инструмент предназначен для профессионального использования.

## Правила техники безопасности

### Общие правила безопасности при работе с электроинструментом



**Внимание!** Полностью прочтите инструкции по технике безопасности и все руководства по эксплуатации. Несоблюдение представленных ниже предупреждений и инструкций может привести к поражению электрическим током, возгоранию и/или тяжелым травмам.

Сохраните все инструкции для последующего обращения к ним. Термин «электроинструмент» во всех приведенных ниже предупреждениях относится к питаемому от электросети (проводному) или от аккумуляторных батарей (беспроводному) электроинструменту.

1. **Безопасность на рабочем месте**
  - a. **Содержите рабочее место в чистоте и обеспечьте его хорошую освещенность.** Плохое освещение или беспорядок на рабочем месте может привести к несчастному случаю.
  - b. **Не используйте электроинструмент во взрывоопасной атмосфере, например, при наличии горючих жидкостей, газов или пыли.** Искры, которые появляются при работе электроинструмента, могут привести к воспламенению пыли или паров.
  - c. **Не разрешайте детям и посторонним лицам находиться рядом с вами при работе с электроинструментом.** Отвлекаясь от работы, вы можете потерять контроль над инструментом.
2. **Электробезопасность**
  - a. **Сетевые вилки электроинструмента должны соответствовать розеткам. Никогда не меняйте вилку инструмента. Запрещается использовать переходники к вилкам для электроинструментов с заземлением.** Использование оригинальных штепсельных вилок, соответствующих типу сетевой розетки, снижает риск поражения электрическим током.
  - b. **Следует избегать контакта с заземленными поверхностями, такими как трубы, радиаторы, батареи и холодильники.** Если вы будете заземлены, увеличивается риск поражения электрическим током.
3. **Обеспечение индивидуальной безопасности**
  - a. **При работе с электроинструментом сохраняйте бдительность, следите за своими действиями и пользуйтесь здравым смыслом. Не работайте с электроинструментом, если вы устали, находитесь в состоянии наркотического, алкогольного опьянения или под воздействием лекарственных препаратов.** Невнимательность при работе с электроинструментом может привести к серьезным телесным повреждениям.
  - b. **Используйте средства индивидуальной защиты. Всегда используйте защитные очки.** Средства защиты, такие как пылезащитная маска, обувь на нескользящей подошве, каска и защитные наушники, используемые при работе, уменьшают риск получения травм.
  - c. **Примите меры для предотвращения случайного включения. Перед тем как подключить электроинструмент к сети и/или аккумуляторной батарее, возьмите инструмент или перенесите его на другое место, убедитесь в том, что выключатель находится в положении «Выкл.». Если при переносе электроинструмента он подключен к сети, и при этом ваш палец находится на выключателе, это может стать причиной несчастных случаев.**
- с. **Не допускайте нахождения электроинструментов под дождем или в условиях повышенной влажности.** При попадании воды в электроинструмент риск поражения электротоком возрастает.
- d. **Бережно обращайтесь с кабелем питания. Никогда не используйте кабель для переноски инструмента, не тяните за него, пытайтесь отключить инструмент от сети. Держите кабель подальше от источников тепла, масла, острых углов или движущихся предметов.** Поврежденный или запутанный кабель питания повышает риск поражения электротоком.
- e. **При работе с электроинструментом вне помещения необходимо пользоваться удлинителем, рассчитанным на эксплуатацию в соответствующих условиях.** Использование кабеля питания, предназначенного для использования вне помещения, снижает риск поражения электрическим током.
- f. **При необходимости эксплуатации электроинструмента в местах с повышенной влажностью используйте устройство защиты от токов замыкания на землю (УЗО).** Использование УЗО сокращает риск поражения электрическим током.

- d. Уберите все регулировочные или гаечные ключи перед включением электроинструмента. Ключ, оставленный на вращающейся части электроинструмента, может привести к травме.
- e. Не пытайтесь дотянуться до слишком удаленных поверхностей. Всегда твердо стойте на ногах, сохраняя равновесие. Это позволит лучше контролировать электроинструмент в непредвиденных ситуациях.
- f. Надевайте подходящую одежду. Избегайте носить свободную одежду и ювелирные украшения. Следите за тем, чтобы волосы, одежда и перчатки не попали под движущиеся детали. Возможно наматывание свободной одежды, ювелирных изделий и длинных волос на движущиеся детали.
- g. При наличии устройств для подключения оборудования для удаления и сбора пыли необходимо обеспечить правильность их подключения и эксплуатации. Использование устройства для пылеудаления сокращает риски, связанные с пылью.
4. Эксплуатация электроинструмента и уход за ним
- a. Избегайте чрезмерной нагрузки электроинструмента. Используйте электроинструмент в соответствии с назначением. Правильно подобранный электроинструмент выполнит работу более эффективно и безопасно при стандартной нагрузке.
- b. Не используйте электроинструмент, если не работает его выключатель. Любой электроинструмент, управлять выключением и включением которого невозможно, опасен, и его необходимо отремонтировать.
- c. Перед выполнением любой регулировки, заменой дополнительных принадлежностей или хранением электроинструмента отключите инструмент от сети или извлеките батарею из инструмента. Такие превентивные меры безопасности сокращают риск случайного включения электроинструмента.
- d. Храните электроинструмент в недоступном для детей месте и не позволяйте работать с инструментом людям, не имеющим соответствующих навыков работы с такого рода инструментами. Электроинструмент представляет опасность в руках неопытных пользователей.
- e. Проводите обслуживание электроинструментов. Проверьте движущиеся детали на точность совмещения или заклинивание, поломку или какие-либо другие условия, которые могут повлиять на эксплуатацию электроинструмента. В случае обнаружения повреждений, прежде чем приступить к эксплуатации электроинструмента, его нужно отремонтировать. Большинство несчастных случаев происходит из-за электроинструментов, которые не обслуживаются должным образом.
- f. Необходимо содержать режущий инструмент в остро заточенном и чистом состоянии. Вероятность заклинивания инструмента, за которым следят должным образом и который хорошо заточен, значительно меньше, а работать с ним легче.
- g. Используйте данный электроинструмент, а также дополнительные принадлежности и насадки в соответствии с данными инструкциями и с учетом условий и специфики работы. Использование электроинструмента для выполнения операций, для которых он не предназначен, может привести к созданию опасных ситуаций.
5. Использование аккумуляторных электроинструментов и уход за ними
- a. Используйте для зарядки аккумуляторной батареи только указанное производителем зарядное устройство. Использование зарядного устройства определенного типа для зарядки других батарей может привести к возгоранию.
- b. Используйте для электроинструмента только батареи указанного типа. Использование других аккумуляторных батарей может стать причиной травмы и возгорания.
- c. Избегайте попадания внутрь батареи скрепок, монет, ключей, гвоздей, болтов или других мелких металлических предметов, которые могут вызывать замыкание ее контактов. Короткое замыкание контактов батареи может привести к возгоранию или получению ожогов.
- d. При повреждении батареи, из нее может вытечь электролит; избегайте контакта с ним. При случайном контакте с электролитом смойте его водой. При попадании электролита в глаза обратитесь за медицинской помощью. Жидкость, находящаяся внутри батареи, может вызвать раздражение или ожоги.
6. Сервисное обслуживание
- a. Обслуживание электроинструмента должно выполняться только квалифицированным техническим персоналом. Это позволит обеспечить безопасность обслуживаемого электроинструмента.

## Дополнительные правила безопасности при работе с электроинструментом



**Внимание!** Дополнительные правила техники безопасности при использовании лобзиков и сабельных пил

- ◆ **Удерживайте инструмент за изолированные поверхности захватывания при выполнении работ, во время которых имеется вероятность контакта инструмента со скрытой электропроводкой.** Если вы держитесь за металлические детали инструмента в случае контакта с находящимся под напряжением проводом, возможно поражение электрическим током.
- ◆ **Используйте зажимы или другие уместные средства фиксации заготовки на стабильной опоре.** Если держать заготовку руками или с упором в собственное тело, то можно потерять контроль над инструментом или заготовкой.
- ◆ **Держите руки подальше от зоны разреза.** Никогда не наклоняйтесь над заготовкой. Не помещайте пальцы вблизи пильного полотна и его зажима. Не устанавливайте пилу, удерживая ее за основание.
- ◆ **Следите за остротой заточки пильных полотен.** Тупые или поврежденные полотна могут привести к тому, что лобзик отклонится или заклинит под давлением. Всегда используйте полотна соответствующего типа для разных рабочих деталей и типа распила.
- ◆ **При распиле трубы или трубопровода убедитесь в том, что в них нет воды, не проходит электропроводка и т. п.**
- ◆ **Не трогайте заготовку и полотно сразу после того как закончите работу.** Они могут сильно нагреваться.
- ◆ **Перед тем, как делать отверстия в стенах, полах или потолках, проверьте места прохождения проводки и трубопроводов.**
- ◆ **Полотно продолжает двигаться после того, как будет отпущен спусковой выключатель.** Всегда выключайте инструмент и подождите, пока пила полностью остановится перед тем, как положить инструмент.

**Внимание!** Контакт или вдыхание пыли, которая может образоваться при распиле, представляет опасность здоровью оператора и тех, кто находится поблизости. Надевайте пылезащитную маску, которая специально предназначена для защиты от пыли и испарений, и обеспечивает защиту для людей, выполняющих эту работу или находящихся в зоне проведения работ.

- ◆ Далее в руководстве приводятся виды работ, для которых предназначен данный инструмент. Применение любых принадлежностей и

приспособлений, а также выполнение любых операций помимо тех, которые рекомендованы данным руководством, может привести к травме.

## Безопасность окружающих

- ◆ Данный инструмент не предназначен для использования лицами (включая детей) с ограниченными физическими, сенсорными или ментальными возможностями, а также лицами без достаточного опыта и знаний, если только они не делают этого под руководством лица имеющего соответствующий опыт и отвечающего за их безопасность.
- ◆ Не позволяйте детям играть с данным инструментом.

## Остаточные риски.

При работе с данным инструментом возможно возникновение дополнительных остаточных рисков, которые не вошли в описанные здесь правила техники безопасности. Эти риски могут возникнуть при неправильном или продолжительном использовании изделия и т. п.

Несмотря на соблюдение соответствующих инструкций по технике безопасности и использование предохранительных устройств, некоторые остаточные риски невозможно полностью исключить. К ним относятся:

- ◆ Травмы в результате касания вращающихся/движущихся частей.
- ◆ Травмы, которые могут произойти в результате смены деталей, лезвий или дополнительных принадлежностей.
- ◆ Травмы, связанные с продолжительным использованием инструмента. При использовании любого инструмента в течение продолжительного периода времени, не забывайте делать перерывы.
- ◆ Ухудшение слуха.
- ◆ Ущерб здоровью в результате вдыхания пыли в процессе работы с инструментом (например, при обработке древесины, в особенности, дуба, бука и МДФ.)

## Вибрация

Заявленные значения вибрации указанные в технических спецификациях и заявлении о соответствии были измерены в соответствии с стандартным методом тестирования EN 60745 и могут быть использованы для сравнения инструментов. Заявленное значение эмиссии вибрации также может использоваться при предварительной оценке ее воздействия.

**Внимание!** Значение эмиссии вибрации в каждом конкретном случае применения электроинструмента может отличаться от заявленного в зависимости от того, каким образом используется инструмент. Уровень вибрации может быть выше заявленного.

При оценке уровня вибрации для определения степени безопасности, предусмотренного 2002/44/ЕС для защиты людей, регулярно пользующихся электроинструментом при работе, нужно принимать во внимание уровень вибрации, реальные условия использования и способ использования инструмента, а также учитывать все этапы цикла работы - когда инструмент выключается, когда он работает на холостом ходу, а также время переключения с одного режима на другой.

### Условные обозначения на инструменте

На инструмент нанесены следующие обозначения:



**Внимание!** Во избежание риска получения травм, прочтите руководство по эксплуатации.

### Дополнительные меры безопасности при работе с аккумуляторными батареями и зарядными устройствами

#### Аккумуляторные батареи

- ◆ Никогда не пытайтесь разобрать аккумуляторные батареи.
- ◆ Не подвергайте аккумуляторные батареи воздействию воды.
- ◆ Не оставляйте в местах, где температура превышает 40 °С.
- ◆ Заряжайте только при температуре от 10 °С до 40 °С.
- ◆ Заряжайте аккумуляторные батареи только с зарядным устройством, которое прилагается к инструменту.
- ◆ При утилизации батарей следуйте инструкциям, указанным в разделе «Защита окружающей среды».



**Не пытайтесь заряжать поврежденные аккумуляторные батареи.**

#### Зарядные устройства

- ◆ Используйте зарядное устройство STANLEY только для зарядки аккумуляторной батареи только того инструмента, с которым оно поставлялось. Использование аккумуляторных батарей другого типа может привести к взрыву, травмам и повреждениям.
- ◆ Не пытайтесь заряжать одноразовые батареи.
- ◆ Немедленно заменяйте поврежденный кабель питания.
- ◆ Не подвергайте зарядное устройство воздействию воды.
- ◆ Не вскрывайте зарядное устройство.
- ◆ Не разбирайте зарядное устройство.



Зарядное устройство можно использовать только в помещении.



Перед началом работы прочтите руководство по эксплуатации.

### Электробезопасность



Ваше зарядное устройство имеет двойную изоляцию, поэтому не требует заземления. Необходимо обязательно убедиться в том, что напряжение источника питания соответствует указанному на паспортной табличке устройства. Никогда не пытайтесь заменить зарядное устройство обычной сетевой розеткой.

- ◆ При повреждении кабеля питания, во избежание рисков, замените его у производителя или в официальном сервисном центре STANLEY.

### Составные части

Данный инструмент может содержать все или некоторые из перечисленных ниже составных частей.

1. Курковый пусковой выключатель с регулировкой скорости
2. Кнопка блокировки пускового выключателя
3. Зажимной рычаг пыльного полотна
4. Зажим полотна
5. Подошва
6. Переключатель режимов резания
7. Аккумулятор (не входит в комплект поставки)

### Рис. А

8. Зарядное устройство (не входит в комплект поставки)
9. Индикатор заряда

### Сборка

**Внимание!** Перед сборкой снимите аккумуляторную батарею с инструмента и убедитесь, что пыльное полотно остановлено. Полотно после работы может сильно нагреваться.

### Установка и снятие пыльного полотна (Рис. А)

- ◆ Удерживайте пыльное полотно (10) зубьями, обращенными вверх.
- ◆ Поднимите зажимной рычаг пыльного полотна (3) вверх.
- ◆ Вставьте хвостовик полотна в зажим полотна (4) до упора.
- ◆ Отпустите рычаг.
- ◆ Для извлечения пыльного полотна (10), поднимите зажимной рычаг пыльного полотна (3) вверх и извлеките пыльное полотно.

## Установка и снятие аккумуляторной батареи (Рис. С)

- ◆ Для установки аккумуляторной батареи (7) совместите ее с приемным гнездом на инструменте. Вставьте аккумуляторную батарею в гнездо и надавите на нее, чтобы она встала на место.
- ◆ Чтобы извлечь батарею, нажмите на отпирающие кнопки (11), одновременно вытягивая батарею из гнезда.

## Использование

**Внимание!** Инструмент должен работать в обычном режиме. Избегайте перегрузок.

**Внимание!** Не используйте инструмент, если подошва не закреплена или снята.

## Зарядка аккумуляторной батареи (Рис. А)

Аккумуляторную батарею нужно заряжать перед первым использованием и каждый раз, когда заряда недостаточно для выполняемых работ. Во время зарядки аккумуляторная батарея нагревается. Это нормальная ситуация, которая не указывает на неисправность.

**Внимание!** Не заряжайте батарею при температуре окружающей среды ниже 10 °С или выше 40 °С.

Рекомендуемая температура при зарядке: приблизительно 24 °С.

**Примечание:** Зарядное устройство не будет заряжать аккумулятор, если температура элемента ниже 10 °С или выше 40 °С.

Аккумуляторную батарею нужно оставить в зарядном устройстве; зарядка начнется автоматически, когда температура элемента аккумуляторной батареи выровняется до нормальных значений.

- ◆ Вставьте батарею (7) в зарядное устройство (8) для выполнения зарядки. Аккумуляторная батарея устанавливается в зарядное устройство только одним способом. Не прилагайте чрезмерные усилия. Проследите, чтобы батарея полностью вошла в зарядное устройство.
- ◆ Подключите зарядное устройство к сети и включите его.

Начнет мигать индикатор зарядки (9).

Зарядка завершена, если индикатор зарядки (9) будет непрерывно гореть. Зарядное устройство и аккумуляторную батарею можно оставить подключенными на неопределенное время. Светодиод будет включаться по мере периодической полной зарядки зарядным устройством.

- ◆ Заряжайте разряженные батареи 1 раз в неделю. Срок службы аккумуляторной батареи значительно уменьшается, если ее хранить в разряженном состоянии.

## Хранение аккумуляторной батареи в зарядном устройстве

Зарядное устройство и аккумуляторную батарею можно оставить подключенными к сети с горящим светодиодным индикатором. Зарядное устройство будет поддерживать полную зарядку аккумуляторной батареи.

## Диагностика зарядного устройства

При фиксировании неисправности самого зарядного устройства или аккумулятора, индикатор зарядки (9) начнет мигать красным светом в ускоренном режиме. Выполните следующие действия:

- ◆ Извлеките и повторно вставьте батарею (7).
- ◆ Если индикатор продолжает часто мигать красным светом, вставьте другую аккумуляторную батарею, чтобы убедиться, что процесс зарядки проходит в правильном режиме.
- ◆ Если сменная аккумуляторная батарея заряжается правильно, это означает, что первоначальная аккумуляторная батарея повреждена и должна быть сдана в сервисный центр на утилизацию.
- ◆ Если при установке сменной батареи наблюдается то же частое мигание, что и при установке первоначальной батареи, отнесите зарядное устройство в сервисный центр для тестирования.

**Примечание:** На определение неисправности аккумуляторной батареи может понадобиться приблизительно 30 минут. Если аккумуляторная батарея очень горячая или очень холодная, красный светодиод будет попеременно мигать быстро и медленно.

## Включение и выключение (Рис. D)

- ◆ Чтобы включить инструмент, переместите кнопку блокировки (2) влево, затем нажмите и удерживайте курковый пусковой выключатель с регулировкой скорости (1).
- ◆ Чтобы выключить инструмент, отпустите курковый пусковой выключатель (1).

**Внимание!** Не включайте и не выключайте инструмент под нагрузкой.

**Внимание!** Обязательно перемещайте кнопку блокировки (2) вправо, когда инструмент не используется.

## Регулировка скорости

Курковый пусковой выключатель с регулировкой скорости позволяет работать с разными скоростями для наилучшего распила различных материалов.

- ◆ Скорость инструмента зависит от глубины нажатия на курковый пусковой выключатель (1).

## Резка с наклоном (Рис. F, G и H)

Подошва может быть установлена в положение пиления с наклоном 45° влево или вправо.

**Установка угла наклона:**

- ◆ Разблокируйте подошву (5), ослабив зажимной болт (12) подошвы при помощи шестигранного ключа, входящего в комплект поставки.
- ◆ Передвиньте подошву (5) вперед, выводя ее из фиксированного положения с наклоном 0°.
- ◆ Поверните подошву и установите ее под необходимым углом (Рис. G).
- ◆ Передвиньте подошву назад, чтобы зафиксировать ее справа или слева.
- ◆ Зафиксируйте подошву (5) в нужном положении, затянув зажимной болт (12) подошвы шестигранным ключом, входящим в комплект поставки.

**Примечание:** Подошву можно устанавливать под углом в 45° влево и вправо.

**Режимы резания (Рис. I)**

Данный лобзик имеет четыре режима резания: три круговых и один прямолинейный. Круговое резание отличается более резким движением пильного полотна и предназначено для обработки мягких материалов, таких как древесина или пластик. Круговое движение обеспечивает быстрый рез, но его поверхность менее гладкая. При круговом движении пильное полотно движется вперед при каждом ходе, кроме этого, вверх и вниз.

**Внимание!** Никогда не используйте круговое движение при резании твердой древесины или металла.

- ◆ Переведите переключатель режимов резания (6) на одну из трех позиций: 0, 1 и 2.
- ◆ Положение 0 для прямолинейного резания.
- ◆ Положения 1 и 2 для кругового резания.
- ◆ Энергичность реза увеличивается при переводе переключателя с позиции 1 до 2; позиция 2 используется для наиболее быстрого и резкого резания.

**Резание**

- ◆ Всегда держите инструмент двумя руками.
- ◆ Прежде чем приступить к резке, дайте пиле поработать несколько секунд без нагрузки.
- ◆ Не применяйте чрезмерное давление к инструменту во время выполнения резки.
- ◆ По возможности, прижимайте подошву (5) к поверхности заготовки. Это позволит улучшить управление инструментом и уменьшает вибрацию, а также предупреждает повреждение полотна.

**Советы по оптимальному использованию  
Общее**

- ◆ Используйте высокие обороты для дерева, средние обороты для алюминия и ПВХ, и низкие обороты для

металлов, кроме алюминия.

**Пиление ламината**

Поскольку пильное полотно выполняет рез при ходе вверх, на поверхности заготовки рядом с подошвой пилы могут появиться повреждения.

- ◆ Используйте пильное полотно с мелкими зубьями.
- ◆ Выполняйте пиление с обратной стороны заготовки.
- ◆ Для сведения расщепления к минимуму, прижмите черновые материалы с обеих сторон заготовки и выполняйте пиление всех трех материалов одновременно.

**Пиление металла**

Учитывайте, что распил металла занимает гораздо больше времени, чем распил древесины.

- ◆ Используйте пильное полотно, предназначенное для пиления металла. Используйте полотно с мелкими зубьями для черных металлов и полотна с более крупными зубьями для цветных металлов.
- ◆ При резке тонколистовой стали прижмите деревянный брусок с обратной стороны рабочей детали и режьте его их вместе.
- ◆ Нанесите слой смазки вдоль линии разреза.

**Дополнительные принадлежности**

Производительность вашего инструмента напрямую зависит от используемых принадлежностей.

Дополнительные принадлежности STANLEY разработаны по самым высоким стандартам, которые разработаны для того, чтобы улучшить характеристики работы инструмента. Используя эти принадлежности, вы достигнете наилучших результатов в работе.

Данный инструмент совместим с пильными полотнами с U-образным и T-образным хвостовиком.

**Техническое обслуживание**

Ваш инструмент имеет длительный срок эксплуатации и требует минимальных затрат на техобслуживание. Срок службы и надежность инструмента увеличивается при правильном уходе и регулярной чистке.

**Внимание!** Перед выполнением обслуживания выключите инструмент и отключите его от сети.

- ◆ Регулярно очищайте вентиляционные отверстия и зарядное устройство с помощью мягкой щетки или сухой тканевой салфетки.
- ◆ Регулярно очищайте корпус двигателя с помощью влажной салфетки. Не используйте никакие абразивные чистящие средства или средства на основе растворителей.
- ◆ Нанесите каплю смазки на ось роликового упора пильного полотна.

## Замена штепсельной вилки (только для Великобритании и Ирландии)

В случае необходимости установки новой вилки:

- ◆ Осторожно снимите старую вилку.
- ◆ Подсоедините коричневый провод к терминалу фазы в новой вилке.
- ◆ Подсоедините синий провод к нулевому терминалу.

**Внимание!** Заземления не требуется. Соблюдайте инструкции по установке вилок высокого качества. Рекомендованный предохранитель: 5 А.

## Защита окружающей среды



Раздельный сбор. Изделия и аккумуляторные батареи с данным символом на маркировке запрещается утилизировать с обычными бытовыми отходами.

Изделия и аккумуляторные батареи содержат материалы, которые могут быть извлечены или переработаны, снижая потребность в исходном сырье.

Пожалуйста, утилизируйте электрические изделия и аккумуляторные батареи в соответствии с местными нормами. Дополнительная информация доступна по адресу [www.2helpU.com](http://www.2helpU.com)

## Технические характеристики

		STSC1860
Напряжение	$V_{\text{ном. макс}}$	18
Скорость без нагрузки	мин. <sup>1</sup>	0 - 2500
Длина хода	мм	19
Максимальная глубина распила		
Древесина	мм	55
Сталь	мм	8
Алюминий	мм	20
Вес	кг	2,82

		не входит в комплект поставки
Зарядное устройство		
Входное напряжение	$V_{\text{вход. макс}}$	
Выходное напряжение	$V_{\text{вых. макс}}$	
Ток	А	
Приблизительное время зарядки	мин.	

		не входит в комплект поставки
Аккумуляторная батарея		
Напряжение	$V_{\text{ном. макс}}$	
Емкость	Ач	

		не входит в комплект поставки
Аккумуляторная батарея		
Тип		

$L_{\text{д}}$ (звуковое давление) 84,5 дБ(А), Погрешность (К) 3 дБ(А)
$L_{\text{мк}}$ (акустическая мощность) 95,5 дБ(А), Погрешность (К) 3 дБ(А)
Сумма величин вибрации (сумма векторов по трем осям), измеренных в соответствии со стандартом EN 60745:
Распиловка досок ( $a_{\text{в}}$ ) 6 м/с, погрешность (К) 1,5 м/с
Распил листового металла ( $a_{\text{л}}$ ) 4,3 м/с, погрешность (К) 1,5 м/с





## Приложение к руководству по эксплуатации электрооборудования для определения месяца производства по номеру текущей календарной недели года

Электрооборудование торговых марок "Dewalt", "Stanley", "Stanley FatMAX", "BLACK+DECKER".

Директивы 2014/30/EU ЕВРОПЕЙСКОГО ПАРЛАМЕНТА И СОВЕТА от 26 февраля 2014 г. "О гармонизации законодательств Государств-членов ЕС в области электромагнитной совместимости", 2006/42/ЕС ЕВРОПЕЙСКОГО ПАРЛАМЕНТА И СОВЕТА от 17 мая 2006 г. "О машинах и оборудовании"; 2014/35/EU ЕВРОПЕЙСКОГО ПАРЛАМЕНТА И СОВЕТА от 26 февраля 2014 г. "О гармонизации законодательств государств-членов в области размещения на рынке электрооборудования, предназначенного для использования в определенных пределах напряжения". Серийный выпуск.

### ТОВАР СЕРТИФИЦИРОВАН

Орган по сертификации "РОСТЕСТ-Москва", Адрес: 119049, г. Москва, улица Житная, д. 14, стр. 1; 117418, Москва, Нахимовский просп., 31 (фактический), Телефон: (499) 1292311, (495) 6682893, Факс: (495) 6682893, E-mail: office@rostest.ru

Изготовитель: Изготовитель: Блэк энд Деккер Холдингс ГмбХ, Германия, 65510, Идштайн, ул. Блэк энд Деккер, 40, тел. +496126212790.

### Уполномоченное изготовителем юр.лицо:

ООО "Стэнли Блэк энд Деккер", 117485, город Москва, улица Обручева, дом 30/1, строение 2  
Телефон: + 7 (495) 258-3981, факс: + 7 (495) 258-3984, E-mail: inbosh@dewalt.com  
Сведения о импортере указаны в сопроводительной документации и/или на упаковке

### Хранение.

Необходимо хранить в сухом месте, вдали от источников повышенных температур и воздействия солнечных лучей. При хранении необходимо избегать резкого перепада температур. Хранение без упаковки не допускается

### Срок службы.

Срок службы изделия составляет 5 лет. Не рекомендуется к эксплуатации по истечении 5 лет хранения с даты изготовления без предварительной проверки.

Дата изготовления (код даты) указана на корпусе инструмента.

Код даты, который также включает год изготовления, оштампован на поверхности корпуса изделия.

Пример:

2014 46 XX, где 2014 – год изготовления, 46-неделя изготовления.

Определить месяц изготовления по указанной неделе изготовления можно согласно приведенной ниже таблице.

### Транспортировка.

Категорически не допускается падение и любые механические воздействия на упаковку при транспортировке. При разгрузке/погрузке не допускается использование любого вида техники, работающей по принципу зажима упаковки.

### Перечень критических отказов, возможные ошибочные действия персонала.

Не допускается эксплуатация изделия:

- При появлении дыма из корпуса изделия
- При поврежденном и/или оголенном сетевом кабеле
- при повреждении корпуса изделия, защитного кожуха, рукоятки
- при попадании жидкости в корпус
- при возникновении сильной вибрации
- при возникновении сильного искрения внутри корпуса

### Критерии предельных состояний.

- При поврежденном и/или оголенном сетевом кабеле
- при повреждении корпуса изделия

Месяц	Январь	Февраль	Март	Апрель	Май	Июнь	Июль	Август	Сентябрь	Октябрь	Ноябрь	Декабрь	Год производства
Неделя	1	5	9	14	18	23	27	31	36	40	44	49	2018
	2	6	10	15	19	24	28	32	37	41	45	50	
	3	7	11	16	20	25	29	33	38	42	46	51	
	4	8	12	17	21	26	30	34	39	43	47	52	
Неделя			13		22			35				48	2019
	1	6	10	14	18	23	27	31	36	40	45	49	
	2	7	11	15	19	24	28	32	37	41	46	50	
	3	8	12	16	20	25	29	33	38	42	47	51	
	4	9	13	17	21	26	30	34	39	43	48	52	
Неделя					22			35		44			2020
	1	6	10	14	19	23	27	32	36	40	45	49	
	2	7	11	15	20	24	28	33	37	41	46	50	
	3	8	12	16	21	25	29	34	38	42	47	51	
	4	9	13	17	22	26	30	35	39	43	48	52	
Неделя				18			31		44				2021
	2	6	10	14	19	23	27	32	36	41	45	49	
	3	7	11	15	20	24	28	33	37	42	46	50	
	4	8	12	16	21	25	29	34	38	43	47	51	
	5	9	13	17	22	26	30	35	39	44	48	52	
Неделя					18				40			1	2022
	2	6	10	15	19	23	28	32	36	41	45	49	
	3	7	11	16	20	24	29	33	37	42	46	50	
	4	8	12	17	21	25	30	34	38	43	47	51	
	5	9	13	18	22	26	31	35	39	44	48	52	
		14				27			40			1	

**Информация об инструменте**

Наименование инструмента	
Модель	
Наименование продавца	
Дата продажи	

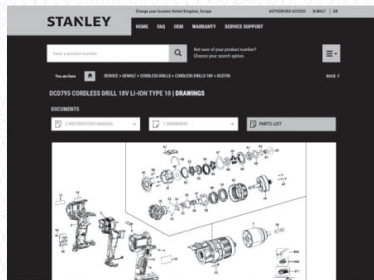
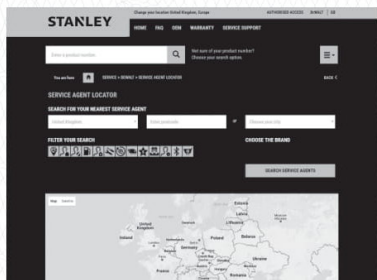
**Серийный номер / Дата производства**

Инструмент	
Зарядное устройство	
Аккумулятор 1	
Аккумулятор 2	

М.П.  
Продавца

**На сайте [www.2helpU.com](http://www.2helpU.com) доступны следующие функции:**

- Список авторизованных сервисных центров
- Удобный поиск ближайшего сервисного центра
- Руководство по эксплуатации
- Технические характеристики
- Список деталей и запасных частей
- Схема сборки инструмента



**Также данную информацию вы можете получить, позвонив по телефону:  
8(800) 1000 876**

**ОТМЕТКА О ПРОВЕДЕНИИ СЕРВИСНОГО ОБСЛУЖИВАНИЯ**

№1	№2	№3	№4
№ заказа	№ заказа	№ заказа	№ заказа
Дата поступления	Дата поступления	Дата поступления	Дата поступления
Дата ремонта	Дата ремонта	Дата ремонта	Дата ремонта
Печать и подпись сервисного центра	Печать и подпись сервисного центра	Печать и подпись сервисного центра	Печать и подпись сервисного центра



